

INSTALLATION INSTRUCTIONS FOR CS mini-45/85

Page 1 of 8
20150529



Electrical

Power Input: U(120-277V) AC

Operating Temperature: -13°F~112°F

Rated Life: >60,000 hours (L70)

Moisture Protection: Damp location listed

Housing

45W:

Diameter: 8.26"(210mm) Height: 9.25"(235mm)

85W:

Diameter: 9.84"(250mm) Height: 10.83"(275mm)

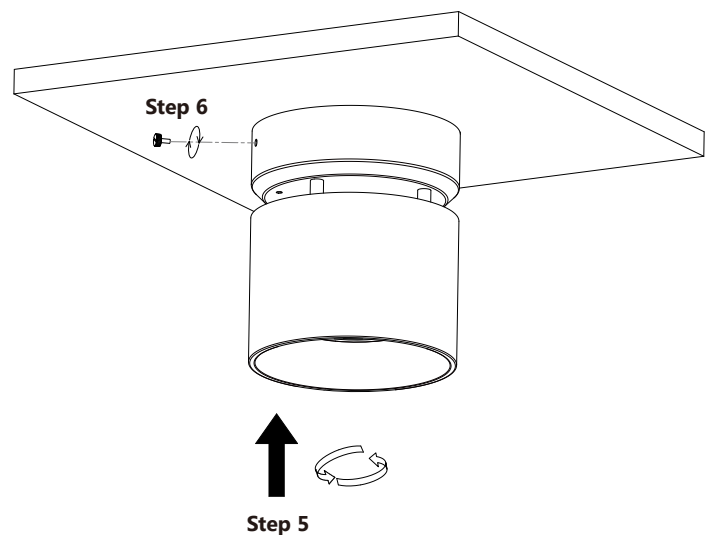
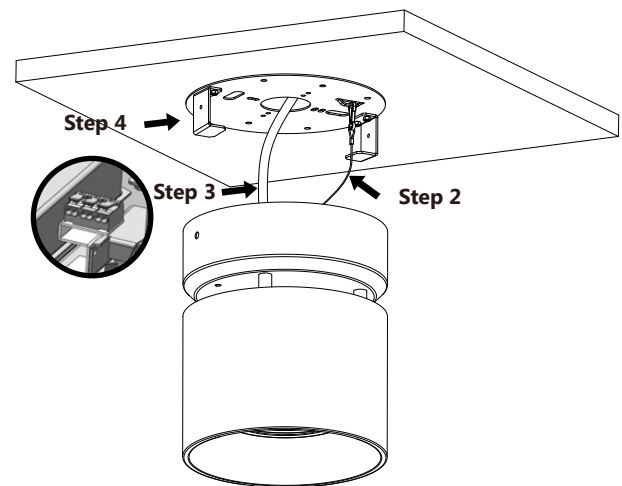
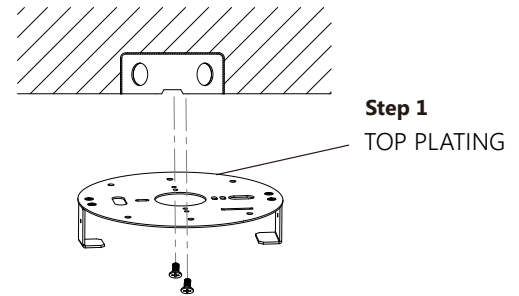
Material: Steel, Aluminum

Mounting

Surface mount, Stem 2ft or 4ft(optional)

Surface Mount

1. Using the two screws provided, mount the top plating of the CS Mini unit to the UL listed electrical junction box located above the ceiling.
2. Bring the fixture near the secured top plating. Connect the metallic wire that extends from the top side of the fixture to the top plating by securing the wire hook to the protruding slot. This wire connection is for extra support.
3. Connect the electrical wires from the AC distribution line to the fixture line, Neutral, and Ground wires via the AC terminal connector.
4. To secure the fixture to the top plating, make contact the top side housing of the fixture to the top plating that is secured on the ceiling. Note that when in contact the two protruding metal latches should be inside and covered by the top side housing of the fixture.
5. When aligned and in contact with the top plating, turn the fixture approximately 30 degrees until the two latches on the top plating is secured with the latches inside the fixture housing.
6. Insert and secure the screw to the hole located on the top side of the fixture. This prevents the fixtures from any circular movement that may unsecure the fixture from the top plating.



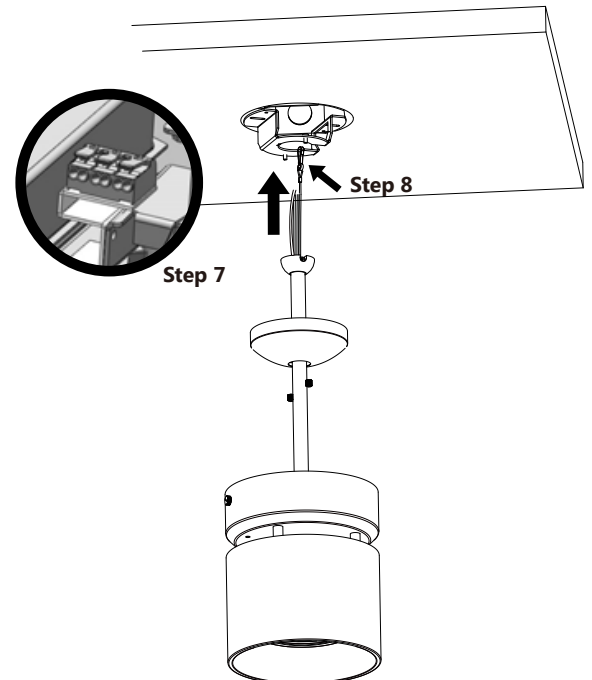
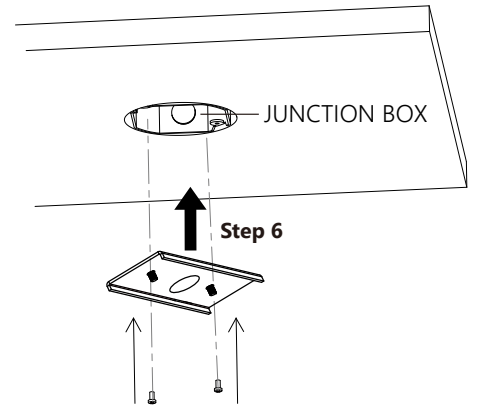
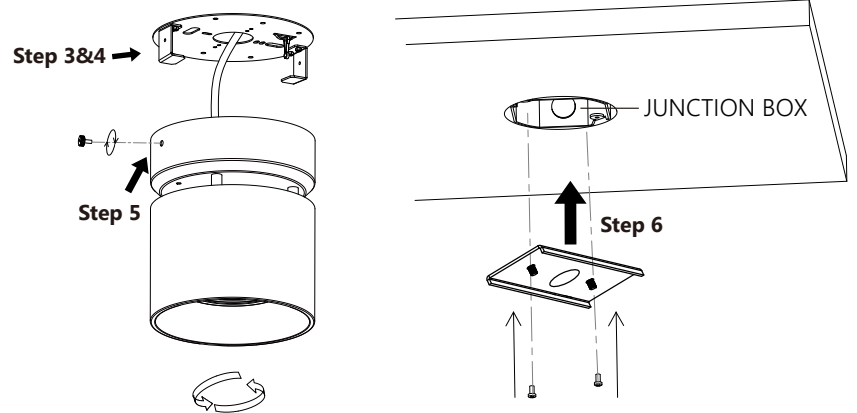
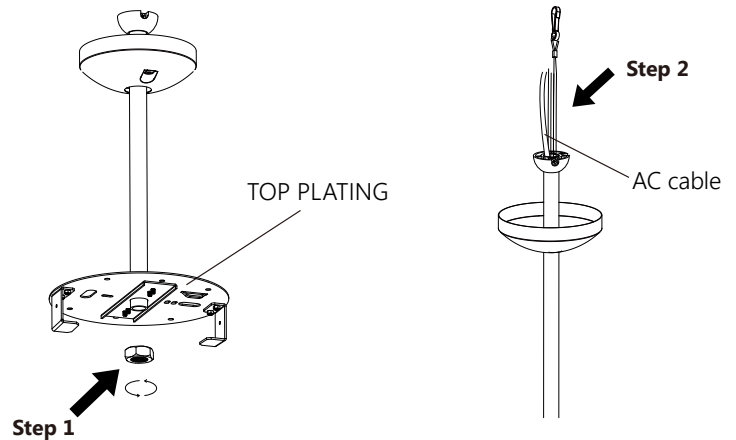
INSTALLATION INSTRUCTIONS FOR CS mini-45/85

Page 2 of 8
20150529



Stem Mounting

1. Attach the stem with canopy to the top plating. Note that the top plating is first detached from the top of the fixture. Secure the top plating to the stem via a bottom lock nut screw.
2. Route the electrical wires (Line, Neutral, Ground) and also a metallic wire all extending from the top end of the fixture through the stem tube. All wires must reach the other end of the stem for routing to the junction box.
3. To secure the fixture to the top plating, make contact the top side housing of the fixture to the top plating. Note that when in contact the two protruding metal latches should be inside and covered by the top side housing of the fixture.
4. When aligned and in contact with the top plating, turn the fixture until the two latches on the top plating is secured with the latches inside the fixture housing.
5. Insert and secure the screw to the hole located on the top side of the fixture. This prevents the fixtures from any circular movement that may unsecure it from the metal latches.
6. Mount the pendant to the UL listed electrical junction box that resides above the ceiling.
7. Connect the electrical wires from the AC distribution line to the fixture line, Neutral, and Ground wires via the AC terminal connector.
8. Connect the metallic wire by securing the wire hook to the protruding slot. Mount the canopy to the pendant via screws.

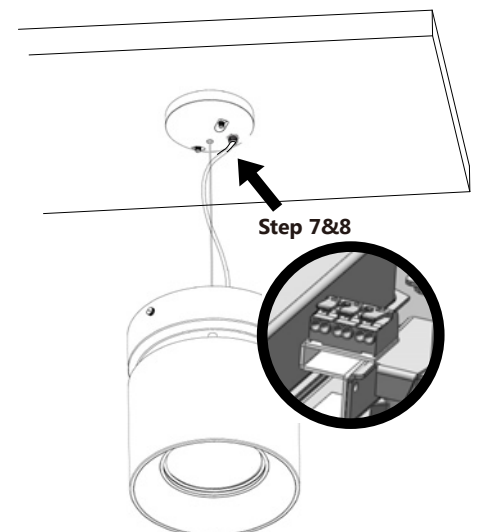
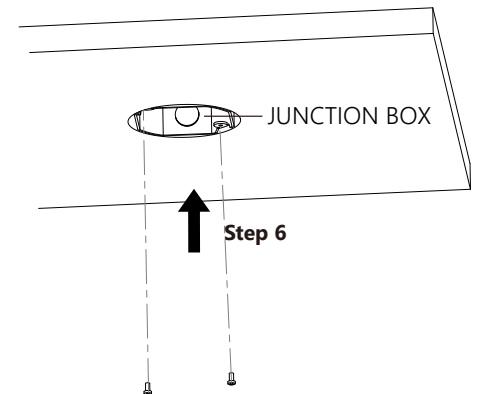
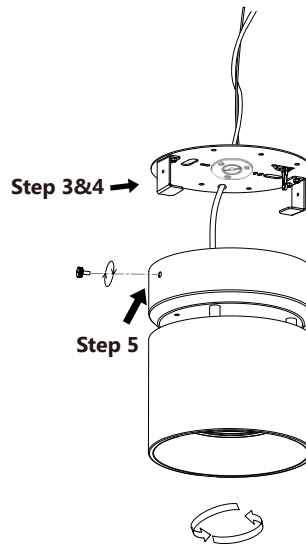
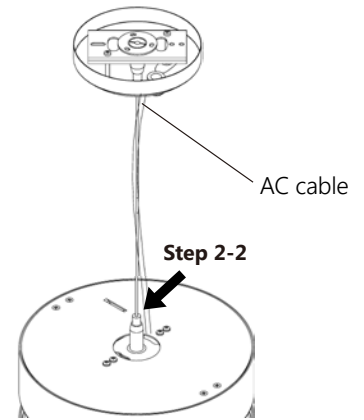
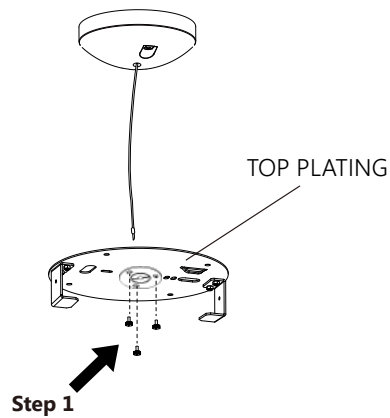


INSTALLATION INSTRUCTIONS FOR CS mini-45/85



Pendant Mounting

1. Insert the pendant system (plating, cable coupler, three screws) from the bottom side of the top plating.
2. Route the AC cable through the cable gland on the canopy and also through the top plate cover of the fixture. Route the metal wire and insert into the cable coupler.
3. To secure the fixture to the top plating, make contact the top side housing of the fixture to the top plating. Note that when in contact the two protruding metal latches should be inside and covered by the top side housing of the fixture.
4. When aligned and in contact with the top plating, turn the fixture until the two latches on the top plating is secured with the latches inside the fixture housing.
5. Insert and secure the screw to the hole located on the top side of the fixture. This prevents the fixtures from any circular movement that may unsecure it from the metal latches.
6. Mount the pendant to the UL listed electrical junction box that resides above the ceiling.
7. Connect the electrical wires from the AC distribution line to the fixture line, Neutral, and Ground wires via the AC terminal connector.
8. Connect the metallic wire by securing the wire hook to the protruding slot. Mount the canopy to the pendant via screws.



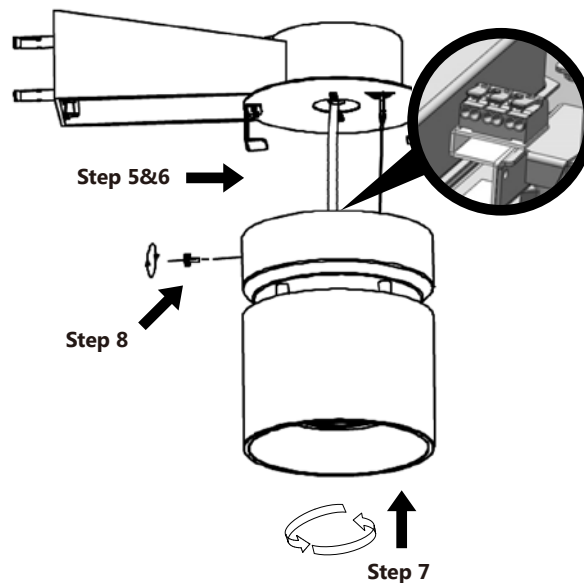
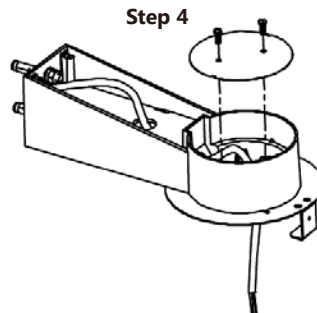
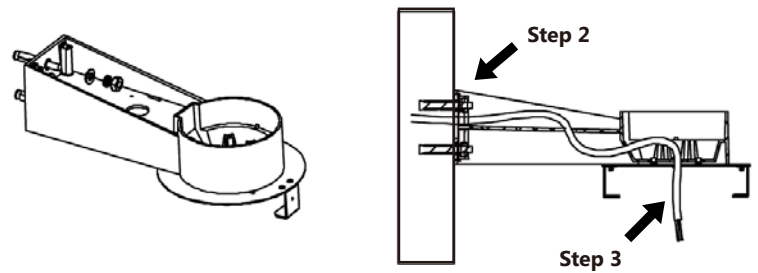
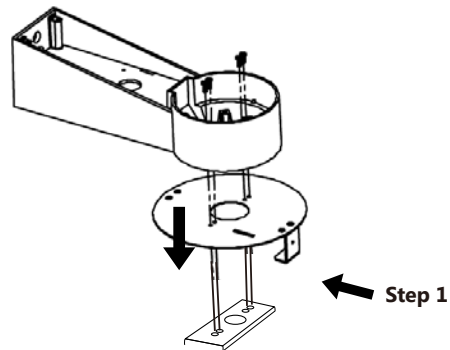
INSTALLATION INSTRUCTIONS FOR CS mini-45/85

Page 4 of 8
20150529



Wall Mount

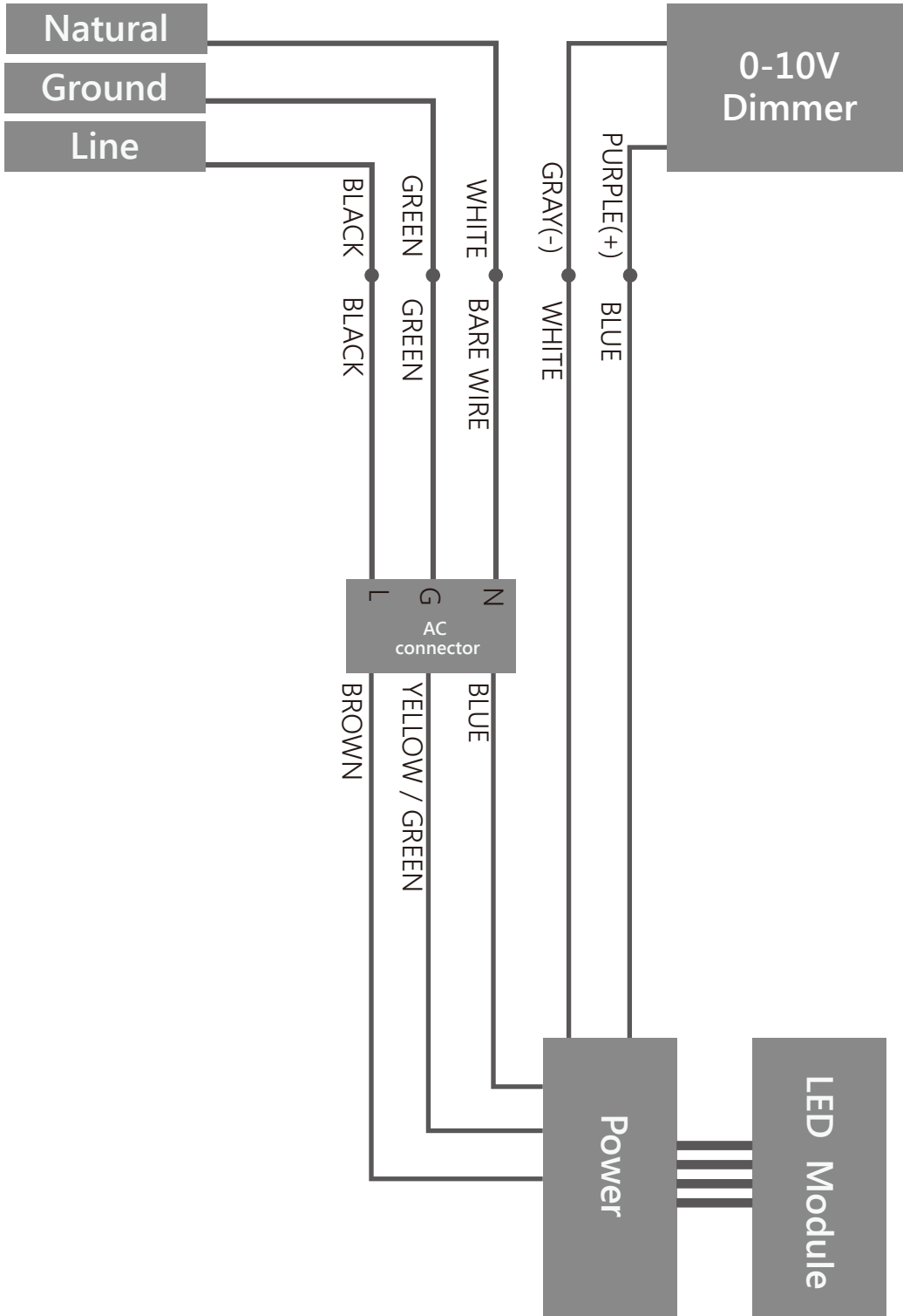
1. Attach the wall mounting rack to the top plating via 4 screws and nuts.
2. Use two anchor screws to mount the wall rack.
3. Route the AC wire as shown.
4. Mount the rack top plating via screws.
5. Attach and secure the wire metal to the top plating anchor.
6. Connect the AC power wires to the AC terminal connector.
7. Screw the light fixture by mounting it against the top plating, then turn the fixture to secure.
8. Secure the M4 screw on the top side of the fixture.



INSTALLATION INSTRUCTIONS FOR CS mini-45/85

Page 5 of 8
20150529

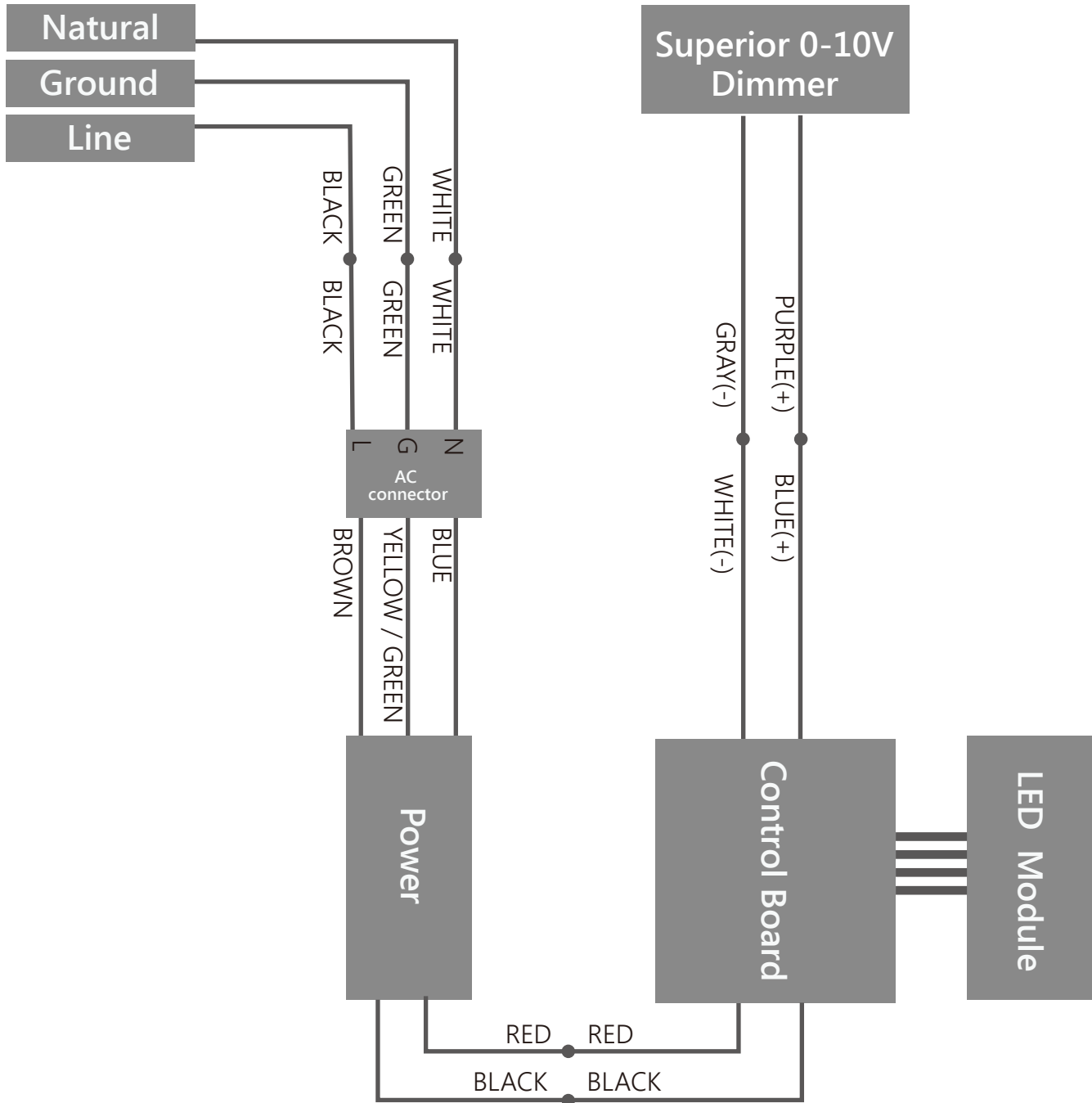
0-10V Wiring



INSTALLATION INSTRUCTIONS FOR CS mini-45/85

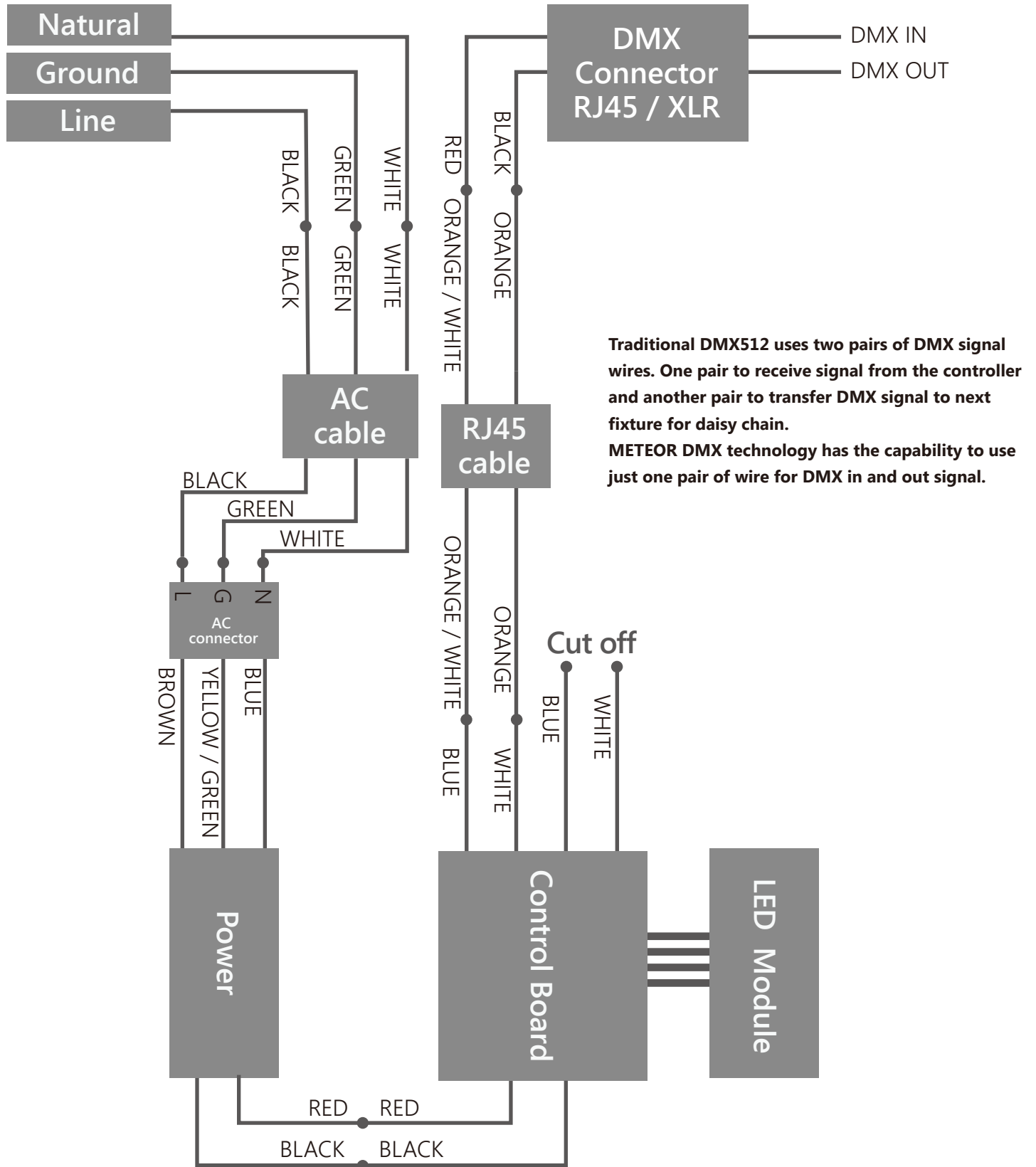
Page 6 of 8
20150529

Superior 0-10V Wiring



INSTALLATION INSTRUCTIONS FOR CS mini-45/85

DMX Wiring

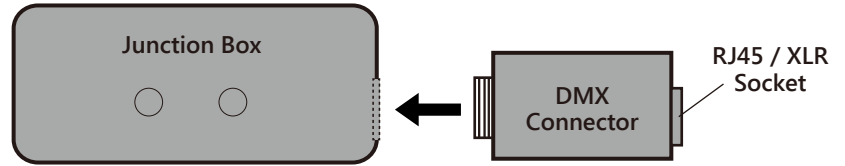


INSTALLATION INSTRUCTIONS FOR CS mini-45/85

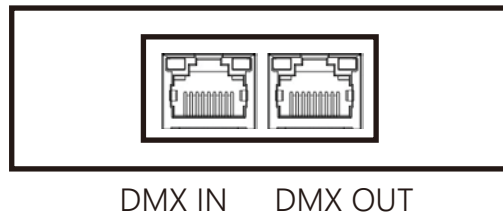
Page 8 of 8
20150529

For DMX Dimming

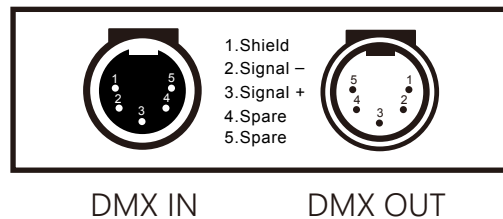
1. Fasten the RJ45/XLR socket to the junction box via the plastic screw nut.
2. Route the RJ45/XLR socket black and red wires together with the AC POWER cable to the fixture.
3. Connect the wires as specified in the figure.



RJ45 Socket



XLR Socket



METEOR

Meteor LED reserves the right to make changes to this product at any time without prior notice and such modification shall be effective immediately.

ILOS Corporation 19745 Colima Rd #1-807, Rowland Heights, CA 91748
P: 213.255.2060 F: 213.596.3704 www.meteor-lighting.com