

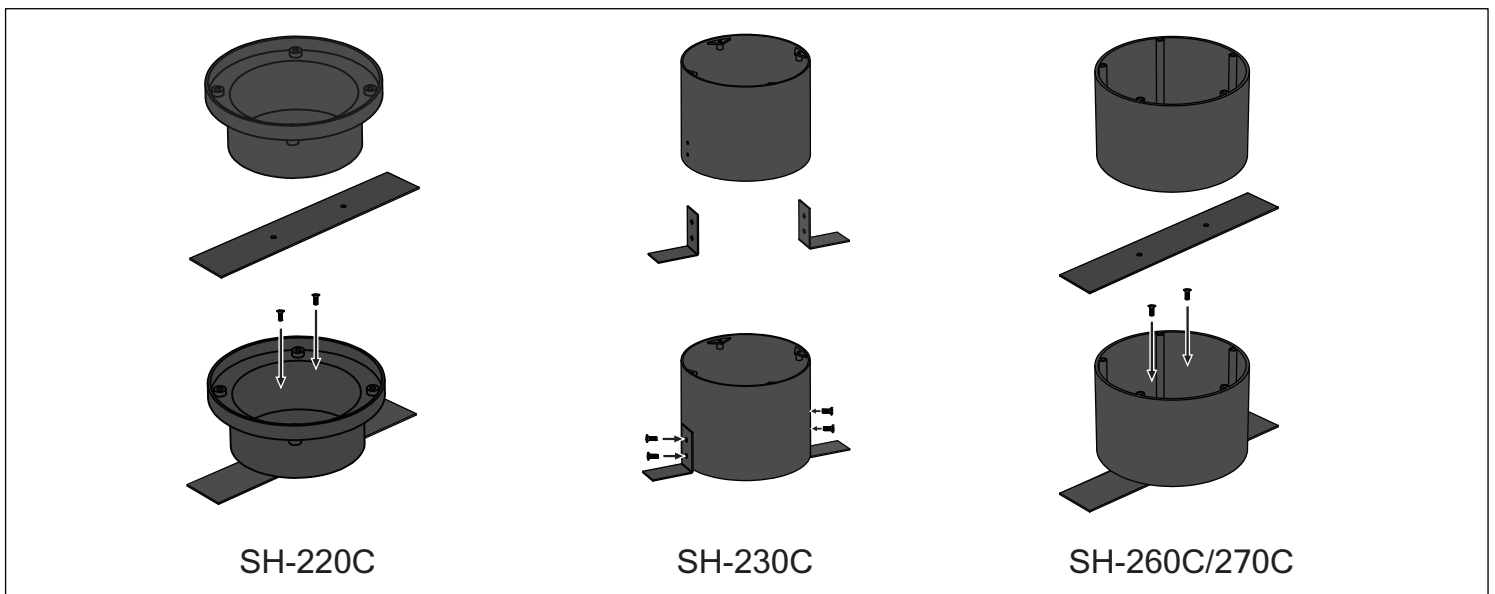
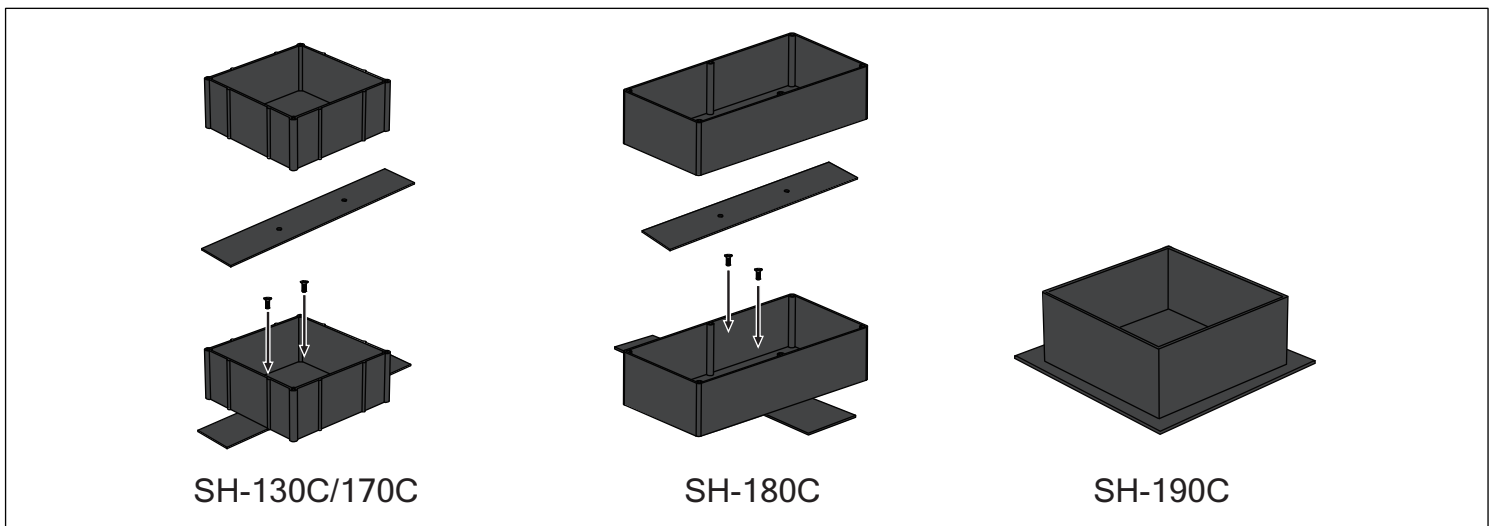
Paver and Ground lights - Anchor Plate

Meteor Ground and Paver lights come equipped with anti-theft Anchor Plate (Models: SH-130, SH-170, SH-180, SH-190, SH-220, SH-260, SH-270) or a set of anti-theft L-Bracket (Model: SH-230). The anti-theft Anchor Plate and L-Bracket not only deter theft, they also help prevent post-installation movement due to erosion or frost heaves.

1. Align holes on Anchor Plate to holes on bottom of Housing. Fasten Anchor Plate to Housing with provided screws. For SH-230, fasten L-Bracket to sides of housing.

2. Place assembled Housing with Anchor Plate in desired location.

Refer to following video for installation instructions <https://www.youtube.com/watch?v=nJnwPkgVpRc>



* SH-200 does not have Anchor Plate.

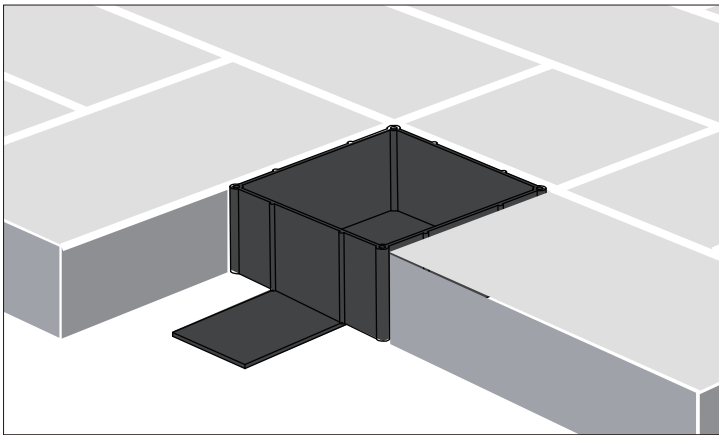
Stonework Surfaces

Planning

Please be sure to consider how much sunlight the installation location receives before installing Meteor Solar LED fixtures. Solar LED fixtures require minimum of 4-6 hours of daily direct sunlight charge to operate at full capacity. Obstruction from buildings, tree, or shade will affect fixture performance.

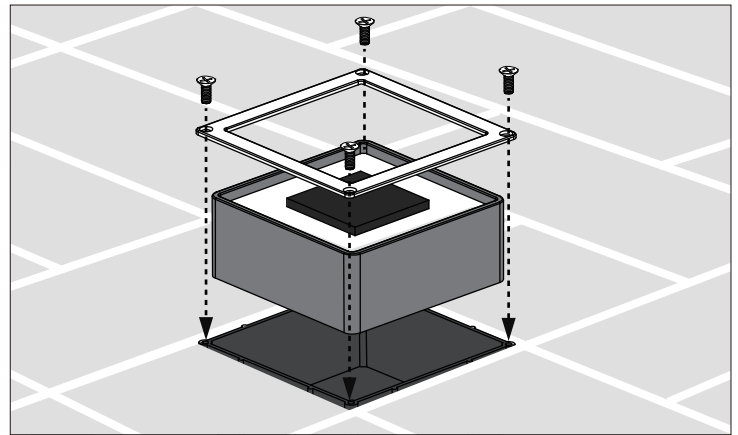
2 Step Installation Process

To prevent damage to main units during construction process, Meteor Housing and Anchor plate can be installed first. When construction is complete, remove Styrofoam filler so Main Units can be installed.
 *Note: Meteor fixtures cannot be installed without Housing



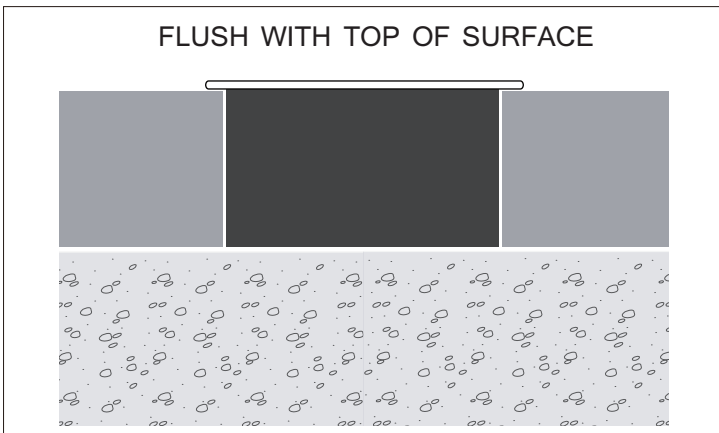
Step 1

Before installing Housing with Anchor Plate in final location, make sure adjacent stones have been cut and placed properly. Add or remove bedding sand beneath Housing to ensure top of Housing is flush with stonework surface.



Step 2

Remove foam from Housing. Install Main Unit. Fasten stainless steel rim to housing with provided anti-theft screws.



Special Note 1 :

If anti-theft screws are not used, Meteor cannot honor limited warranty that comes with each fixture. For extra protection, it is best to use stonework adhesives on Housing and Anchor Plate to prevent theft.

Special Note 2 :

Solar LED fixtures require minimum of 4-6 hours of daily direct sunlight charge to operate at full capacity. Obstruction from buildings, tree, or shade will affect fixture performance.

Special Note 3 :

After installation, water or non-corrosive cleaning solution can be used to clean fixture surface.

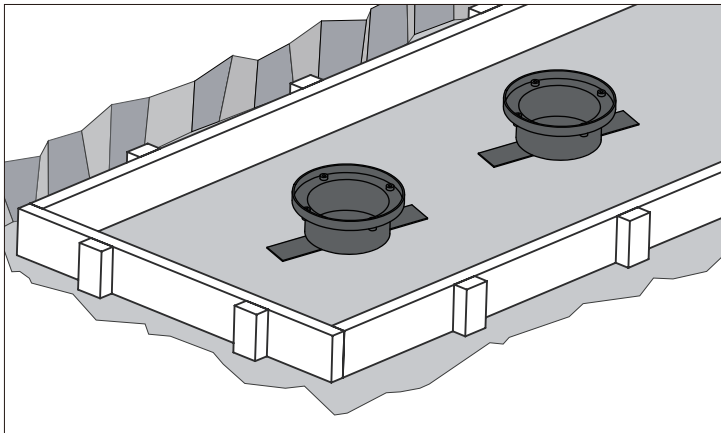
New Construction - Concrete Pour

Planning

Please be sure to consider how much sunlight the installation location receives before installing Meteor Solar LED fixtures. Solar LED fixtures require minimum of 4-6 hours of daily direct sunlight charge to operate at full capacity. Obstruction from buildings, tree, or shade will affect fixture performance.

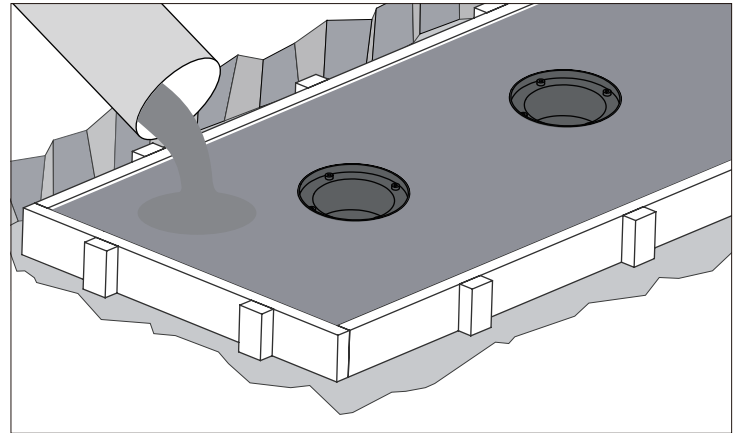
2 Step Installation Process

For concrete pour, Meteor Housing and Anchor Plate can be installed first without main fixture. Housing comes with Styrofoam filler. When construction is complete, remove Styrofoam filler. Install Main Units. Refer to following video for installation instructions <https://www.youtube.com/watch?v=nJnwPkgVpRc>



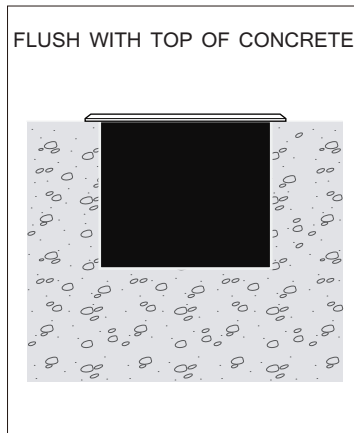
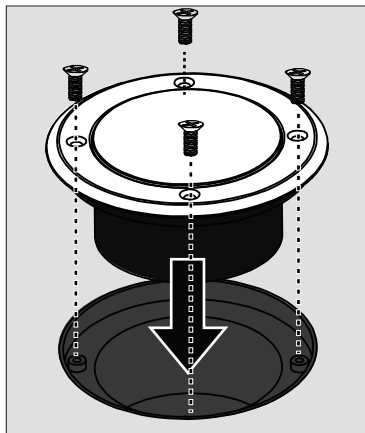
Step 1

Confirm Housing and Anchor plate are positioned at the correct location. Housing and Anchor Plate must be fixed in position or they will shift during concrete pour. Please make sure Styrofoam filler stays in Housing during concrete pour.



Step 2

Make sure top of Housing is flush with concrete surface. Make adjustments as needed.



FLUSH WITH TOP OF CONCRETE

Step 3

After construction is finished, remove Styrofoam filler. Install Main Units. Secure rim to housing with provided anti-theft screws.

Special Note 1 :

If anti-theft screws are not used, Meteor cannot honor limited warranty that comes with each fixture. For extra protection, it is best to use stonework adhesives on Housing and Anchor Plate to prevent theft.

Special Note 2 :

Solar LED fixtures require minimum of 4-6 hours of daily direct sunlight charge to operate at full capacity. Obstruction from buildings, tree, or shade will affect fixture performance.

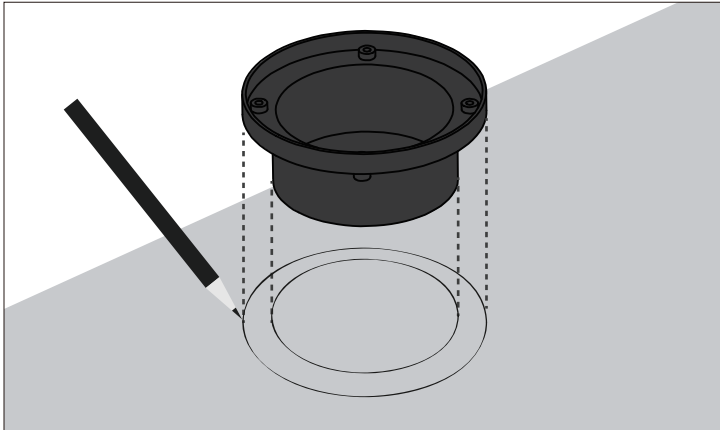
Special Note 3 :

After installation, water or non-corrosive cleaning solution can be used to clean fixture surface.

Wooden Surface (SH-220)

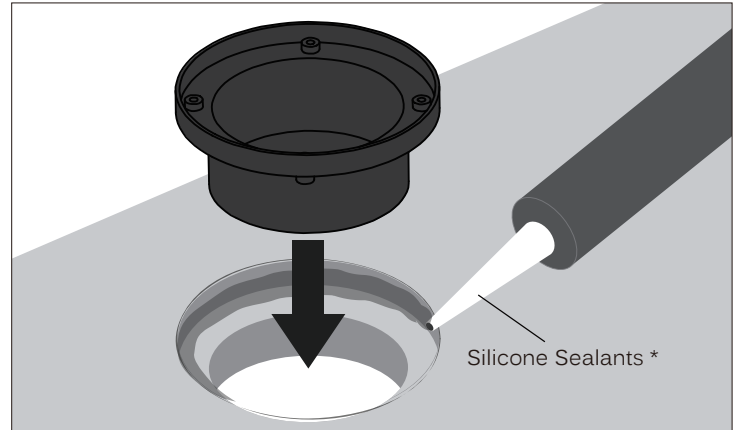
Planning

Please be sure to consider how much sunlight the installation location receives before installing Meteor Solar LED fixtures. Solar LED fixtures require minimum of 4-6 hours of daily direct sunlight charge to operate at full capacity. Obstruction from buildings, tree, or shade will affect fixture performance.



Step 1

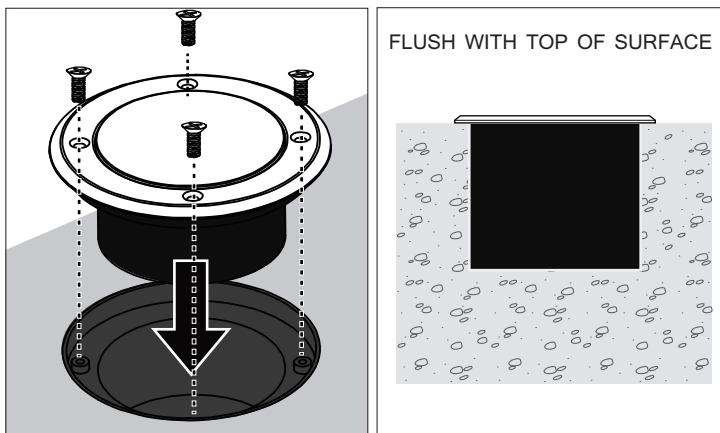
Mark and cut two-tiered hole into the wood for Housing. First, trace and cut hole to fit the **base of the Housing**, NOT top circumference of Housing.



Step 2

Counterbore hole with dimensions of top circumference of Housing. Depth to match thickness of upper lip on Housing so fixture sits flush with wooden surface.

***Recommendation: Down Corning 737**



Step 3

Fasten Main Unit to housing with provided anti-theft screws.

Special Note 1 :

If anti-theft screws are not used, Meteor cannot honor limited warranty that comes with each fixture. For extra protection, it is best to use stonework adhesives on Housing and Anchor Plate to prevent theft.

Special Note 2 :

Solar LED fixtures require minimum of 4-6 hours of daily direct sunlight charge to operate at full capacity. Obstruction from buildings, tree, or shade will affect fixture performance.

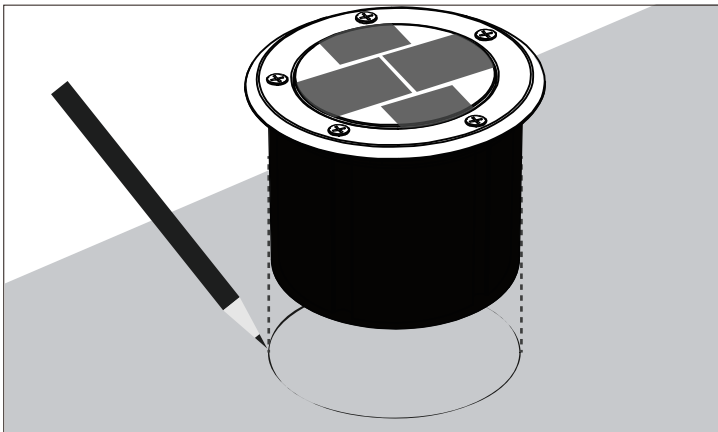
Special Note 3 :

After installation, water or non-corrosive cleaning solution can be used to clean fixture surface.

Existing Concrete and Asphalt (SH-200)

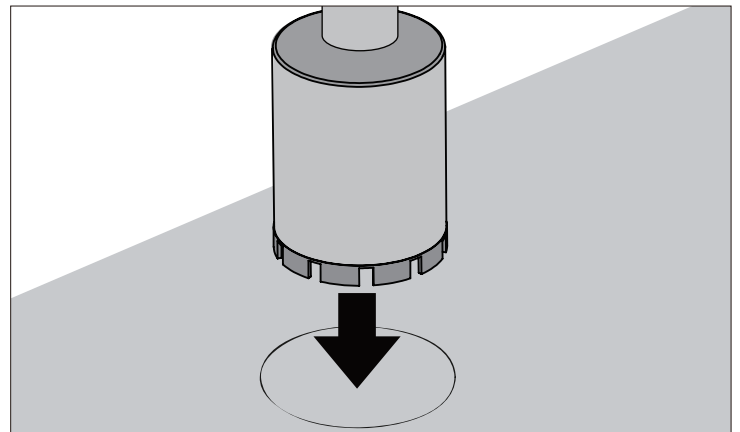
Planning

Please be sure to consider how much sunlight the installation location receives before installing Meteor Solar LED fixtures. Solar LED fixtures require minimum of 4-6 hours of daily direct sunlight charge to operate at full capacity. Obstruction from buildings, tree, or shade will affect fixture performance.



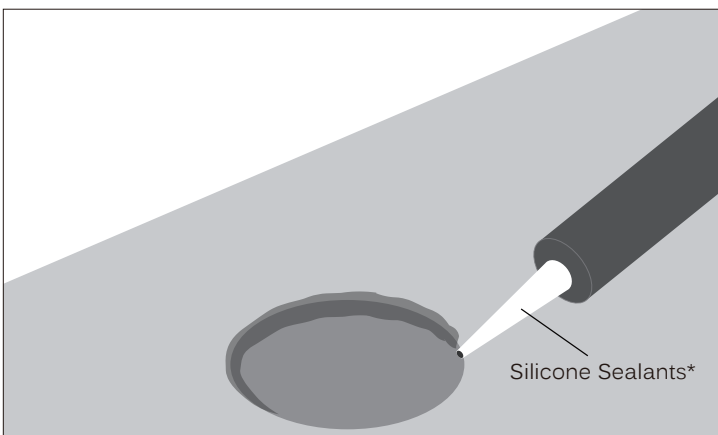
Step 1

Mark area where light will be installed.



Step 2

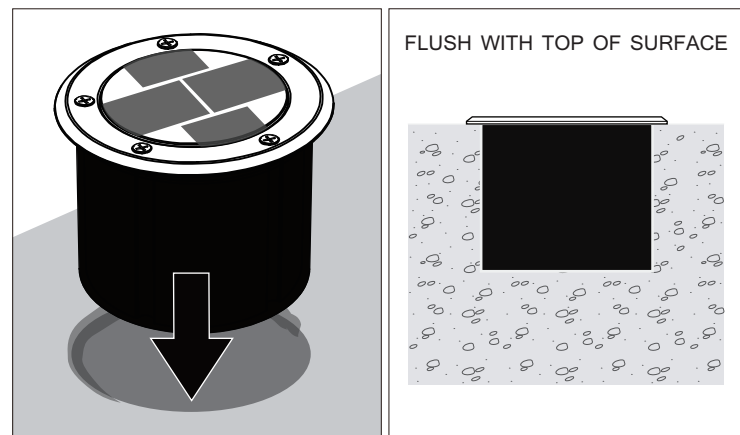
Use concrete core drill to bore hole in desired location. Drill 2.2" deep so top of housing will be flush with surface. If hole is too deep, pad with bedding sand.



Step 3

Apply sealant along inside edge of hole.

*Recommendation: Down Corning 737



Step 4

Lower SH-200 into hole and push down until rim is flush with surface.

Refer to following video for installation instructions
<https://www.youtube.com/watch?v=PUzCr7McPwI>