

Specification

Page 1 of 1
20150330

Dext Series - 200

Robust high bay

23400 lm@5000K



Type : _____
 Project : _____
 Quantity: _____
 Note : _____

Electrical

Wattage: 200W (up to 23,400 lm @ 5000K)
Power Input: U(120-277V); 347-480V(optional)
Operating Temperature: -40°F~121°F
Environment: UL Wet location listed; IP65
Surge Protection: 2.5KV

LED Technology

- LED color available in 3000K, 4000K, 5000K CCT.
- LED color tolerance within 3-step McAdam Ellipse
- CRI 75; CRI 85(optional)
- Offered in 120° optical distributions
- Rated Life: >100,000 hours (L70)

Dimming

- 0-10 dim to <10%(standard)

Housing

Diameter: 16.25"(412mm)
Height: 17.68"(450mm)
Material: High pressure Die-Cast aluminum, PC
Weight: 31.96 lbs

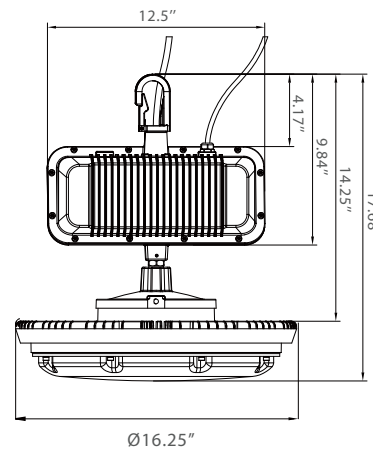
Mounting

Pothook

Warranty

5 year limited warranty. See www.meteor-lighting.com for details.

Pothook



Lumen Output Table*

CCT	Beam Angle 120°
5000K	23400 lm
4000K	22000 lm
3000K	21150 lm

Efficacy up to 117 LPW.
 *Tolerance ±8%

Ordering Guide:

Ex.DS-200-30K-120-120-V-AL-P

Model	Color Temp	Voltage	Beam Angle	Dimming	Finish	Mounting	Optional
DS-200			120	V	AL	P	
	30K (3000K) 40K (4000K) 50K (5000K)	120 (120V) 277 (277V)	120	V (0-10V)	AL (Aluminum Silver)	P (Pothook)	HV ¹ High Voltage 347-480V SP ² Surge protector CRI85 ³ CRI 85

Notes: ¹ Additional lead time required.

² Surge protector for up to 12.5kV. Applicable for unstable mains or facilities using high power machinery.

³ Please factor in change in lumen output(-10%).



Meteor LED reserves the right to make changes to this product at any time without prior notice and such modification shall be effective immediately.

ILOS Corporation 19745 Colima Rd #1-807, Rowland Heights, CA 91748
 P: 213.255.2060 F: 213.596.3704 www.meteor-lighting.com

