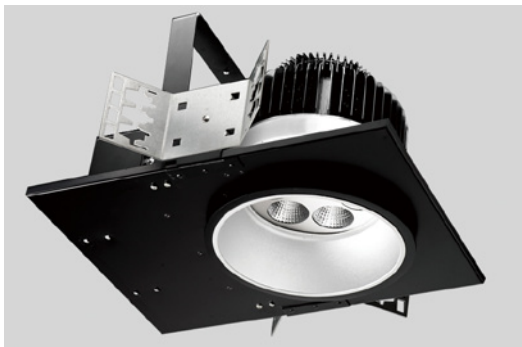


Specification

Page 1 of 2
20150318



REV Series - 125 8" LED Architectural Downlight

10500 lm@3500K
Optional: Superior 0-10V / DMX

Type : _____
Project : _____
Quantity: _____
Note : _____

Electrical

- Wattage:** 125W (up to 10,478 lm @ 3500K)
- Power Input:** 120V/277V(optional)
- Operating temperature:** -40°F~103°F
- Environment:** UL damp location
- Emergency pack:** Bodine BSL20LV
- Surge protection:** 2.5KV

LED Technology

- 5 light engines available in 2700K, 3000K, 3500K, 4000K, CCT.
- LED color tolerance within 3-step McAdam Ellipse
- CRI85 typical; CRI97 optional for 2700K and 3000K
- Offered in 20°, 35°, 50° optical distributions
- High reflection anodized reflector with secondary optics for angle control
- Thermal management: Customized heatsink optimizes cooling of LEDs
- LED Rated Life: >50,000 hours (L70)

Dimming Options

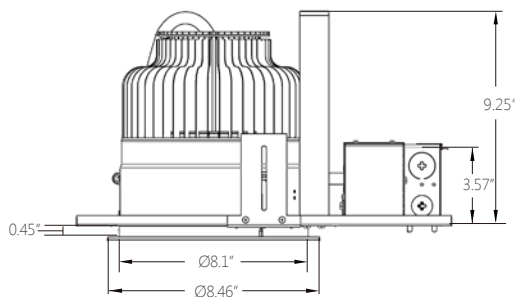
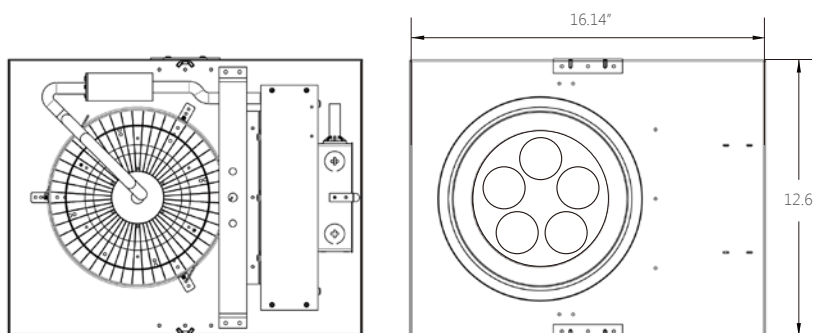
- **Superior 0-10V** dimming to less than 1%. Compatible with all standard dimmers.
- **DMX** control with high resolution 4,096 steps to <0.1% dimming level. Specifically designed to meet video broadcast and recording needs in applications such as Auditoriums, Theaters, Churches.

Housing

- Aperture:** 8.1"(207mm) I.D., 8.46"(214mm) O.D .
- Ceiling cutout:** 8 1/4"
- Maximum ceiling thickness:** 1 1/4"
- Light engine, optics, and driver(s) accessible from below ceiling**
- Weight:** 17.63 lbs
- Note:** C-Channel/Mounting Channels/ T-Bar Hangers are by others. Not included with shipment

Warranty

5 year limited warranty. See www.meteor-lighting.com for details.



Lumen Output Table

CCT	Beam Angle 20°	Beam Angle 35°	Beam Angle 50°
4000K	10685 lm	10288 lm	9684 lm
3500K	10478 lm	10102 lm	9198 lm
3000K	10156 lm	9705 lm	8842 lm
2700K	9324 lm	8978 lm	8105 lm

Efficacy up to 85.48 LPW.
*Tolerance ±8%



Flickering is present in all light sources and Meteor has developed propriety VX driver which combats flickering in recorded material. VX Driver is an advanced non-flickering technology, to all its dimming options which includes 0-10V(Std), Superior 0-10V(<1%) and DMX(<0.1%).



Specification

Page 2 of 2
20150318

REV Series - 125 8" LED Architectural Downlight

10500 lm@3500K

Optional: Superior 0-10V / DMX

Ordering Guide: Light Engines

Ex.RS-125-30K-120-20-B-SV

Model	Color Temp	Voltage	Beam Angle	Rim Finish	Optional
RS-125	27K¹ (2700K) 30K (3000K) 35K¹ (3500K) 40K (4000K)	120 (120V)	20 35 50	W (White) B (Black)	SV Superior 0-10V(dim to <1%) DMX DMX(dim to <0.1%) CR197¹ Only available for 2700K and 3000K 277¹ 277V SP² Surge protector EMP Emergency pack DF³ Diffuser SCA8-10⁴ Sloped ceiling adapter 8" - angle

Notes: ¹ Additional lead time required.

² Surge protector for up to 12.5kV. Applicable for unstable mains or facilities using high power machinery.

³ Please factor in change in lumen output with diffuser (-12% with any degrees).

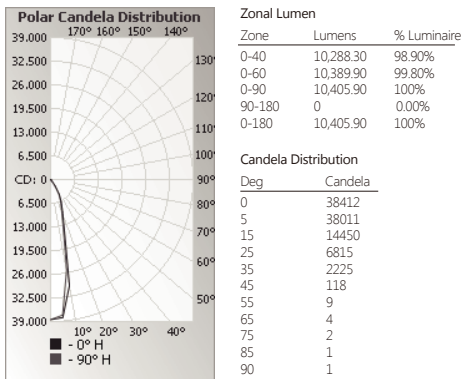
⁴ Please refer to **Sloped Ceiling Adapter** spec sheet.

Candlepower Photometrics*

Note: +/- 8% tolerance for all values.

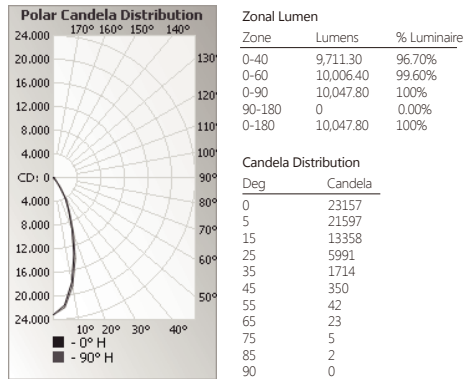
CCT: 3500K

Beam angle: 20 deg



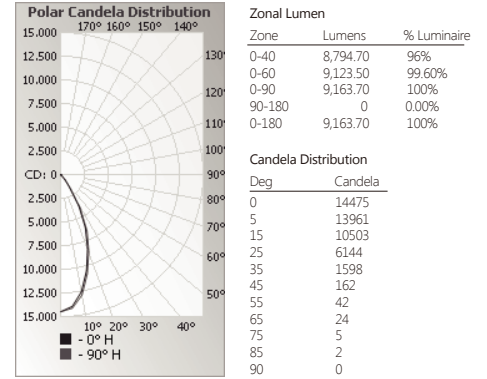
CCT: 3500K

Beam angle: 35 deg



CCT: 3500K

Beam angle: 50 deg



*CCT MULTIPLIER

CCT	27K	30K	35K	40K
Multiplier	0.88	0.96	baseline	1.02

Emergency pack Lumen Output Table

CCT	4000K	3500K	3000K	2700K
Lumen	1820 lm	1770 lm	1640 lm	1550 lm



Meteor LED reserves the right to make changes to this product at any time without prior notice and such modification shall be effective immediately.

ILOS Corporation 19745 Colima Rd #1-807, Rowland Heights, CA 91748 P: 213.255.2060 F: 213.596.3704
www.meteor-lighting.com