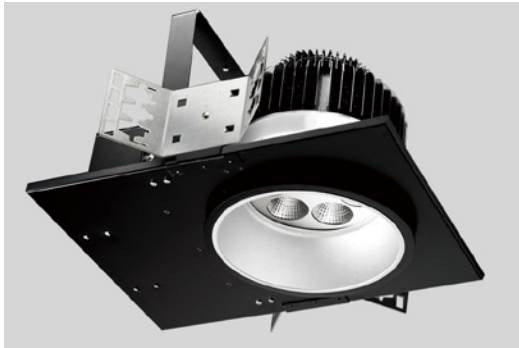


# Specification

Page 1 of 2  
20150318



# REV Series - 145 8" LED Architectural Downlight

12500 lm@3500K

Optional: Superior 0-10V / DMX

Type : \_\_\_\_\_

Project : \_\_\_\_\_

Quantity: \_\_\_\_\_

Note : \_\_\_\_\_

## Electrical

**Wattage:** 145W (up to 12,500 lm @ 3500K)

**Power Input:** 120V/277V(optional)

**Operating temperature:** -40°F~103°F

**Environment:** UL damp location

**Emergency pack:** Bodine BSL20LV

**Surge protection:** 2.5KV

## LED Technology

- 6 light engines available in 2700K, 3000K, 3500K, 4000K, CCT.
- LED color tolerance within 3-step McAdam Ellipse
- CRI85 typical; CRI97 optional for 2700K and 3000K
- Offered in 20°, 35°, 50° optical distributions
- High reflection anodized reflector with secondary optics for angle control
- Thermal management: Customized heatsink optimizes cooling of LEDs
- LED Rated Life: >50,000 hours (L70)

## Dimming Options

- **Superior 0-10V** dimming to less than 1%. Compatible with all standard dimmers.
- **DMX** control with high resolution 4,096 steps to <0.1% dimming level. Specifically designed to meet video broadcast and recording needs in applications such as Auditoriums, Theaters, Churches.

## Housing

**Aperture:** 8.1"(207mm) I.D., 8.46"(214mm) O.D .

**Ceiling cutout:** 8 ¼"

**Maximum ceiling thickness:** 1 ¼"

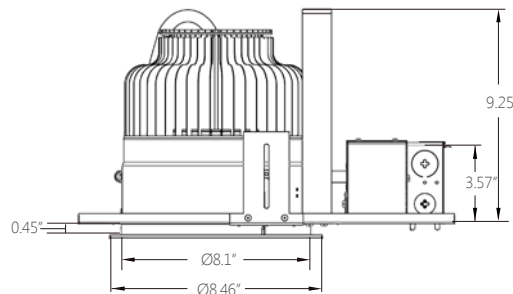
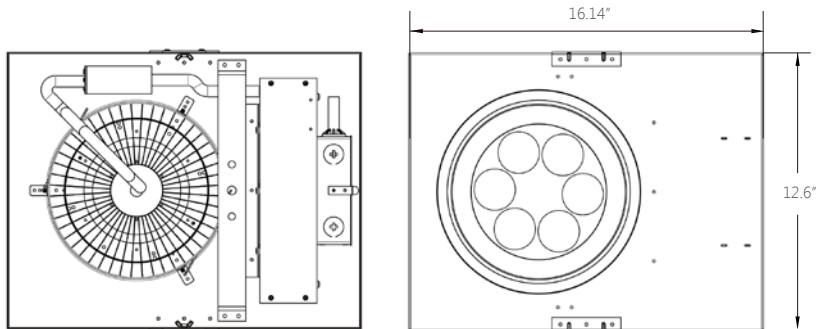
**Light engine, optics, and driver(s) accessible from below ceiling**

**Weight:** 17.63 lbs

**Note:** C-Channel/Mounting Channels/ T-Bar Hangers are by others. Not included with shipment

## Warranty

5 year limited warranty. See [www.meteor-lighting.com](http://www.meteor-lighting.com) for details.



## Lumen Output Table

CCT	Beam Angle 20°	Beam Angle 35°	Beam Angle 50°
4000K	12905 lm	12474 lm	11367 lm
3500K	12660 lm	12208 lm	11162 lm
3000K	12286 lm	11806 lm	10677 lm
2700K	11305 lm	10905 lm	9830 lm

**Efficacy up to 93.66 LPW.**

\*Tolerance ±8%



Flickering is present in all light sources and Meteor has developed propriety VX driver which combats flickering in recorded material. VX Driver is an advanced non-flickering technology, to all its dimming options which includes 0-10V(Std), Superior 0-10V(<1%) and DMX(<0.1%).



# Specification

Page 2 of 2  
20150318

# REV Series - 145 8" LED Architectural Downlight

12500 lm@3500K

Optional: Superior 0-10V / DMX

## Ordering Guide:

Ex.RS-145-30K-120-20-B-SV

Model	Color Temp	Voltage	Beam Angle	Rim Finish	Optional
RS-145	27K <sup>1</sup> (2700K) 30K (3000K) 35K <sup>1</sup> (3500K) 40K (4000K)	120 (120V)	20 35 50	W (White) B (Black)	<b>SV</b> Superior 0-10V(dim to <1%) <b>DMX</b> DMX(dim to <0.1%) <b>CRI97<sup>1</sup></b> Only available for 2700K and 3000K <b>277<sup>1</sup></b> 277V <b>SP<sup>2</sup></b> Surge protector <b>EMP</b> Emergency pack <b>DF<sup>3</sup></b> Diffuser <b>SCA8-10<sup>4</sup></b> Sloped ceiling adapter 8" - <a href="#">angle</a>

Notes: <sup>1</sup> Additional lead time required.

<sup>2</sup> Surge protector for up to 12.5kV. Applicable for unstable mains or facilities using high power machinery.

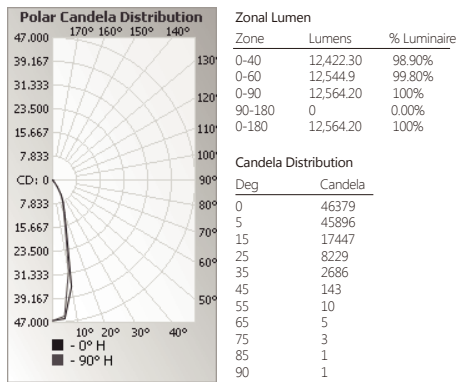
<sup>3</sup> Please factor in change in lumen output with diffuser (-12% with any degrees).

<sup>4</sup> Please refer to **Sloped Ceiling Adapter** spec sheet.

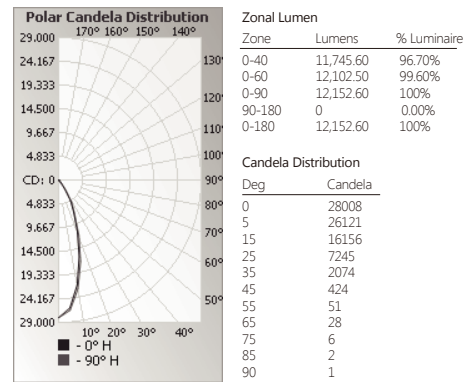
## Candlepower Photometrics\*

Note: +/- 8% tolerance for all values.

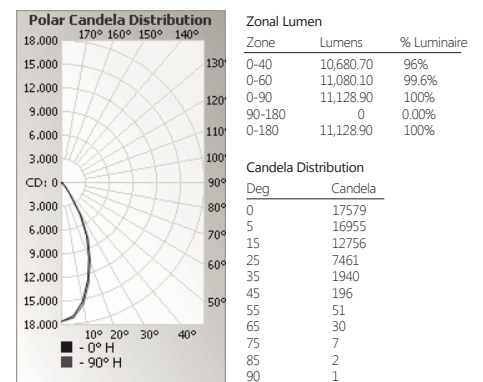
CCT: 3500K  
Beam angle: 20 deg



CCT: 3500K  
Beam angle: 30 deg



CCT: 3500K  
Beam angle: 50 deg



### \*CCT MULTIPLIER

CCT	27K	30K	35K	40K
Multiplier	0.88	0.96	baseline	1.02

## Emergency pack Lumen Output Table

CCT	4000K	3500K	3000K	2700K
Lumen	1820 lm	1770 lm	1640 lm	1550 lm



Meteor LED reserves the right to make changes to this product at any time without prior notice and such modification shall be effective immediately.

ILOS Corporation 19745 Colima Rd #1-807, Rowland Heights, CA 91748 P: 213.255.2060 F: 213.596.3704

www.meteor-lighting.com