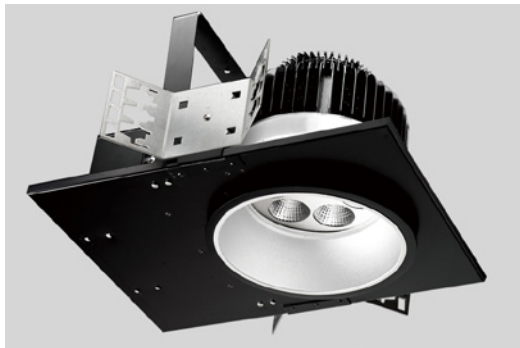


Specification

Page 1 of 2
20150318



Electrical

- Wattage:** 95W (up to 8200 lm @ 3500K)
- Power Input:** 120V/277V(optional)
- Operating temperature:** -40°F~103°F
- Environment:** UL damp location
- Emergency pack:** Bodine BSL20LV
- Surge protection:** 2.5KV

LED Technology

- 4 light engines available in 2700K, 3000K, 3500K, 4000K CCT
- LED color tolerance within 3-step McAdam Ellipse
- CRI85 typical; CRI97 optional for 2700K and 3000K
- Offered in 20°, 35°, 50° optical distributions
- High reflection anodized reflector with secondary optics for angle control
- Thermal management: Customized heatsink optimizes cooling of LEDs
- LED Rated Life: >50,000 hours (L70)

Dimming Options

- **Superior 0-10V** dimming to less than 1%. Compatible with all standard dimmers.
- **DMX** control with high resolution 4,096 steps to <0.1% dimming level. Specifically designed to meet video broadcast and recording needs in applications such as Auditoriums, Theaters, Churches.

Housing

Aperture: 8.1"(207mm) I.D., 8.46"(214mm) O.D.

Ceiling cutout: 8 1/4"

Maximum ceiling thickness: 1 1/4"

Light engine, optics, and driver(s) accessible from below ceiling

Weight: 17.63 lbs

Note: C-Channel/Mounting Channels/ T-Bar Hangers are by others. Not included with shipment

Warranty

5 year limited warranty. See www.meteor-lighting.com for details.

REV Series - 95 8" LED Architectural Downlight

8200 lm@3500K

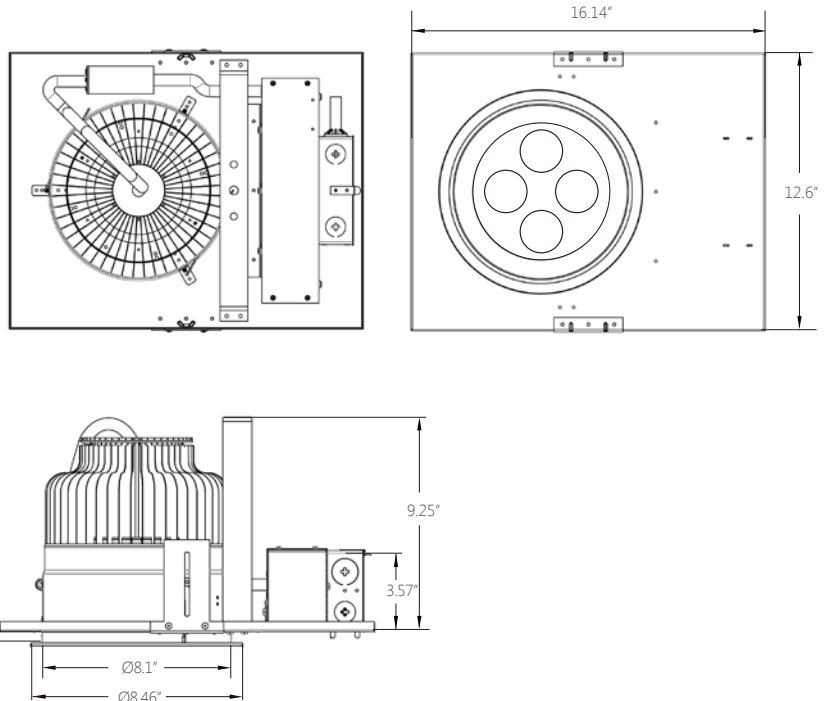
Optional: Superior 0-10V / DMX

Type : _____

Project : _____

Quantity: _____

Note : _____



Lumen Output Table

CCT	Beam Angle 20°	Beam Angle 35°	Beam Angle 50°
4000K	8371 lm	8083 lm	7264 lm
3500K	8229 lm	7870 lm	7156 lm
3000K	7959 lm	7570 lm	6908 lm
2700K	7290 lm	6950 lm	6350 lm

Efficacy up to 92.12 LPW.

*Tolerance ±8%



Flickering is present in all light sources and Meteor has developed propriety VX driver which combats flickering in recorded material. VX Driver is an advanced non-flickering technology, to all its dimming options which includes 0-10V(Std), Superior 0-10V(<1%) and DMX(<0.1%).



Specification

Page 2 of 2
20150318

REV Series - 95 8" LED Architectural Downlight

8200 lm@3500K

Optional: Superior 0-10V / DMX

Ordering Guide:

Ex.RS-95-30K-120-20-B-SV

Model	Color Temp	Voltage	Beam Angle	Rim Finish	Optional
RS-95					
	27K¹ (2700K) 30K (3000K) 35K¹ (3500K) 40K (4000K)	120 (120V)	20 35 50	W (White) B (Black)	SV Superior 0-10V(dim to <1%) DMX DMX(dim to <0.1%) CRI97¹ Only available for 2700K and 3000K 277¹ 277V SP² Surge protector EMP Emergency pack DF³ Diffuser SCA8-10⁴ Sloped ceiling adapter 8"- angle

Notes: ¹ Additional lead time required.

² Surge protector for up to 12.5kV. Applicable for unstable mains or facilities using high power machinery.

³ Please factor in change in lumen output with diffuser (-12% with any degrees).

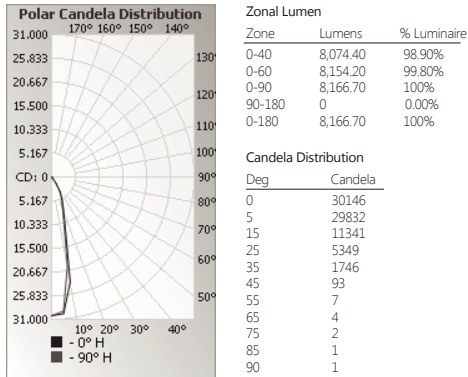
⁴ Please refer to **Sloped Ceiling Adapter** spec sheet.

Candlepower Photometrics*

Note: +/- 8% tolerance for all values.

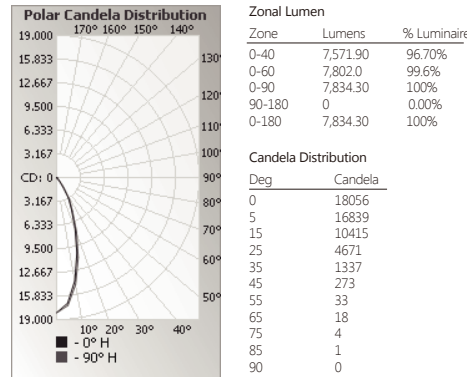
CCT: 3500K

Beam angle: 20 deg



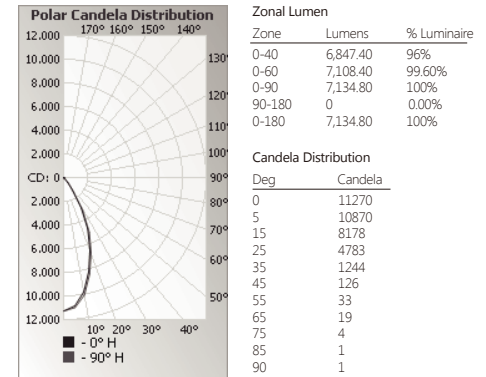
CCT: 3500K

Beam angle: 35 deg



CCT: 3500K

Beam angle: 50 deg



*CCT MULTIPLIER

27K	30K	35K	40K
0.88	0.96	baseline	1.02

Emergency pack Lumen Output Table

CCT	4000K	3500K	3000K	2700K
Lumen	1820 lm	1770 lm	1640 lm	1550 lm



Meteor LED reserves the right to make changes to this product at any time without prior notice and such modification shall be effective immediately.

ILOS Corporation 19745 Colima Rd #1-807, Rowland Heights, CA 91748 P: 213.255.2060 F: 213.596.3704
www.meteor-lighting.com