

Specification

Page 1 of 2
20150522



Electrical

Wattage: 560W(up to 58000 lm @ 5000K)

Power Input: 120-277 VAC

Operating temperature: -40°F~113°F

Environment: Wet location; IP66

Rated Life: >50,000 hours (L70)

Surge Protection: 10KV

LED Technology

- LEDs available in 3000K, 4000K, 5000K, CCT.
- LED color tolerance within 3-step McAdam Ellipse
- CRI75 standard for 5000K, CRI85 standard for 3000K and 4000K.
- Offered in 20°, 40°, 55° optical distributions

Dimming

- 0-10V(dim to 10%)
- DMX(available in Q3)

Housing

Dimensions: 17.13" (435mm) x 17.13" (435mm)

Height: 11.42" (290mm)

Weight: 66.13 lbs

Material: Cold forged aluminum heat sink, tempered glass

Housing Finish: Black

Mounting: Bracket

Warranty

5 year limited warranty. See www.meteor-lighting.com for details.

Lumen Output Table*

CCT	Beam Angle 20°	Beam Angle 40°	Beam Angle 55°
5000K	58025 lm	56449 lm	55268 lm
4000K	51245 lm	49765 lm	48790 lm
3000K	47449 lm	46590 lm	45500 lm

Efficacy up to 103.6 LPW.

*Tolerance ±8%

Tetriss Series-560 Modular High Lumen LED Luminaire

58000 lm@5000K

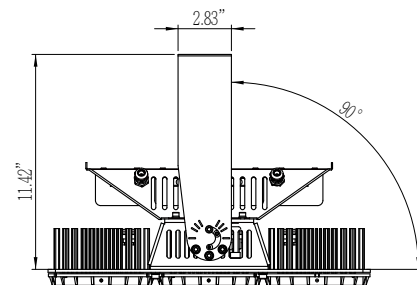
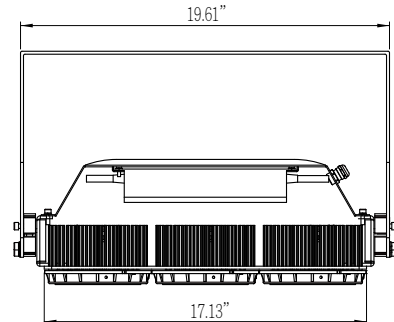
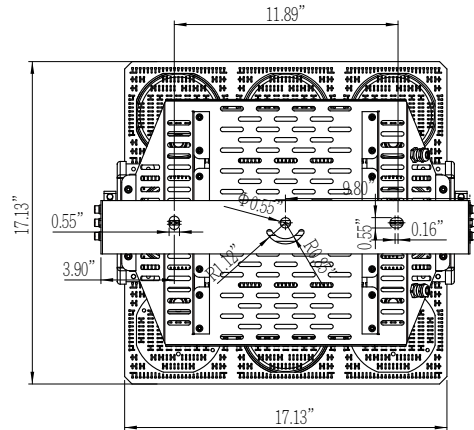
Optional: 0-10V Dimming / DMX(available in Q3)

Type : _____

Project : _____

Quantity: _____

Note : _____



Meteor LED reserves the right to make changes to this product at any time without prior notice and such modification shall be effective immediately.

ILOS Corporation 19745 Colima Rd #1-807, Rowland Heights, CA 91748 P: 213.255.2060 F: 213.596.3704
www.meteor-lighting.com



Specification

Page 1 of 2
20150522

Tetriss Series-560

Modular High Lumen LED Luminaire

58000 lm@5000K

Optional: 0-10V Dimming / DMX(available in Q3)

Ordering Guide:

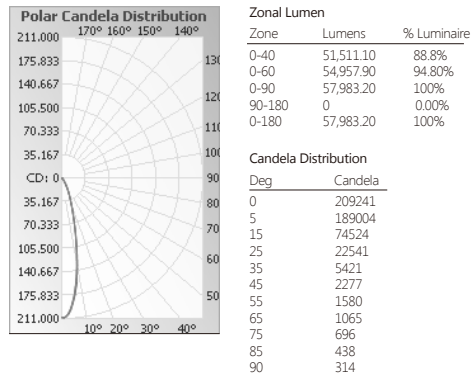
Ex.TS-560-30K-120-20-B-V-STD

Model	Color Temp	Voltage	Beam Angle	Finish	Dimming	Mounting	Optional
TS-560					V	STD	
	30K (3000K) 40K (4000K) 50K (5000K)	120 (120V) 277 (277V)	20 40 55	B (Black)	V (0-10V)	STD Standard	OUT Outdoor installation NAT Natatorium installation

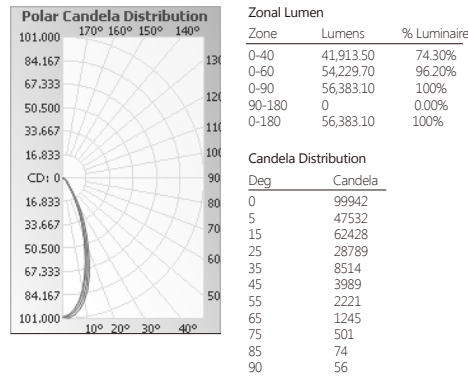
Candlepower Photometrics*

Note: +/- 8% tolerance for all values.

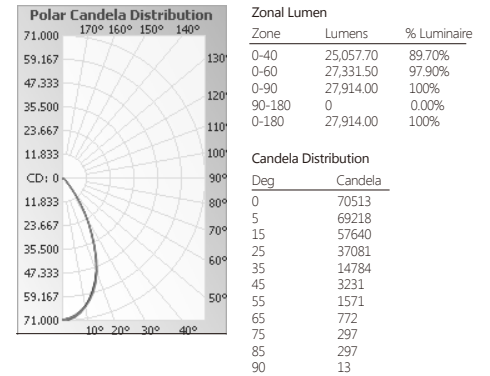
CCT: 5000K
Beam angle: 20 deg



CCT: 5000K
Beam angle: 40 deg



CCT: 5000K
Beam angle: 55 deg



*CCT MULTIPLIER

30K	40K	50K
0.82	0.89	baseline