

# Specification

Page 1 of 2  
20150318



## Electrical

**Wattage:** 220W (up to 20700 lm @ 5700K)  
**Power Input:** U(120-277V), 347V-480V(optional)  
**Operating Temperature:** -40°F~131°F  
**Environment:** UL Wet location listed  
**Surge Protection:** 10KV

## LED Technology

- LED color available in 3000K, 4200K, 5700K, CCT.
- LED color tolerance within 3-step McAdam Ellipse
- CRI75(standard), CRI85 optional for 3000K and 4200K; CRI95 optional for 3000K
- Offered in 15°, 30°, 60°, 80°, 100°(optional) optical distributions
- Rated Life: >100,000 hours (L70)

## Dimming

- 0-10V dim to <10%
- DALI dim to <10%(optional)

## Housing

**Dimensions:** 15.07" (383mm) x 14.17" (360mm)  
**Height:** 4.6"(117mm)  
**Material:** High pressure die-cast aluminum, tempered glass  
**Housing Finish(Heat sink, Stem/ Bracket, Power Box):** Silver; Black(optional), White(optional)  
**Rim Finish:** Black, White  
**Weight:** 23.2 lbs

## Mounting

Pendant or Stem standard length is 2 or 4ft ;  
 Bracket, Uplight, Twin Bracket(please refer to WS Twin Bracket Spec Sheet)

## Warranty

5 year limited warranty. See [www.meteor-lighting.com](http://www.meteor-lighting.com) for details.

# Whiz Series - 240

## Compact high wattage luminaire

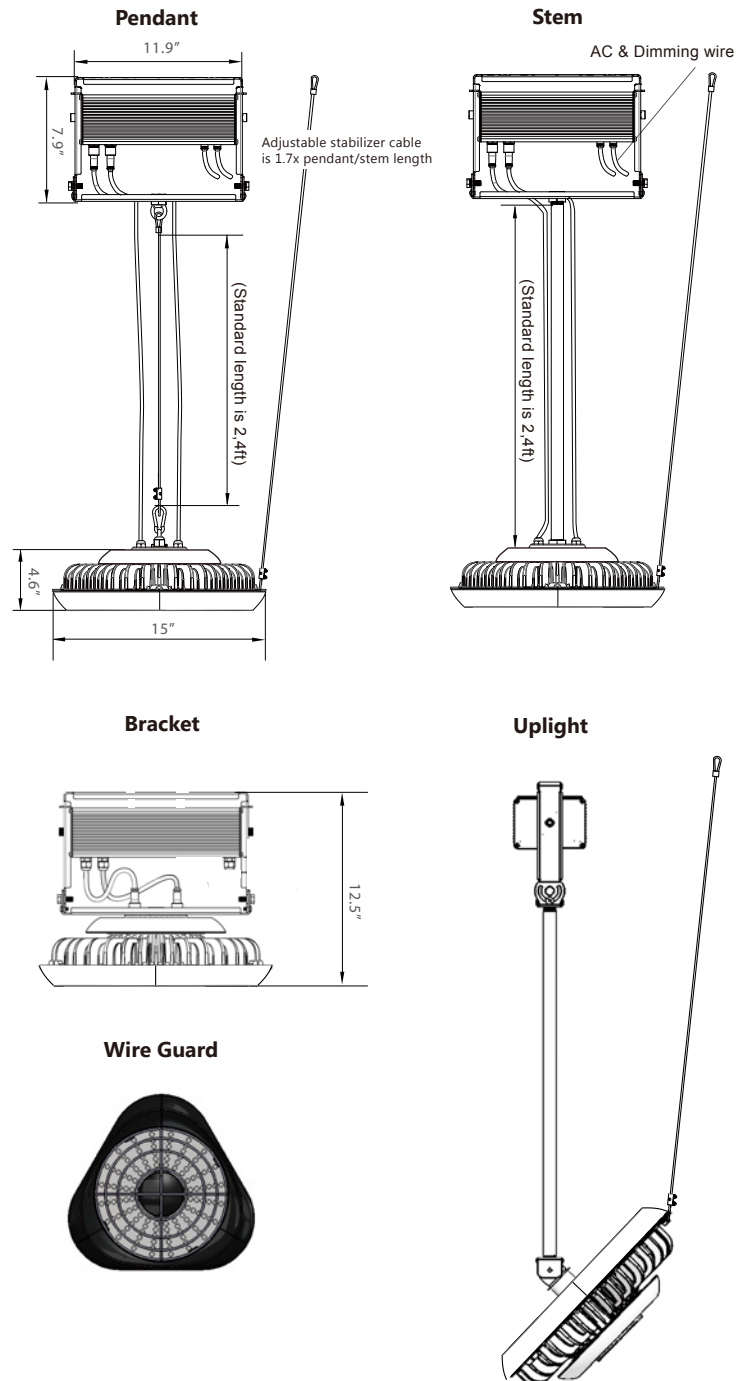
20700 lm@5700K

Type : \_\_\_\_\_

Project : \_\_\_\_\_

Quantity: \_\_\_\_\_

Note : \_\_\_\_\_



\*Not all versions of this product may be DLC qualified. Please check the DLC Qualified Products List at [www.designlights.org](http://www.designlights.org) to confirm which versions are qualified.



# Specification

Page 2 of 2  
20150318

# Whiz Series - 240

## Compact high wattage luminaire

20700 lm@5700K

### Ordering Guide:

Ex.WS-240-30K-120-V-30-B-P2-WG

Model	Color Temp	Voltage	Dimming	Beam Angle	Rim Finish	Mounting
WS-240						
	<b>30K</b> (3000K) <b>42K</b> (4200K) <b>57K</b> (5700K)	<b>120</b> (120V) <b>277</b> (277V)	<b>V</b> (0-10V; dim to <10%)	<b>15</b> <b>30</b> <b>60</b> <b>80</b> <b>100*</b> <small>*must order with diffuser</small>	<b>W</b> (White) <b>B</b> (Black)	<b>P2</b> Pendant 2ft <b>P4</b> Pendant 4ft <b>ST2</b> Stem 2ft <b>ST4</b> Stem 4ft <b>BR</b> Bracket

Optional	
<b>DALI</b>	DALI(dim to <10%)
<b>CRI85</b>	Only available for 3000K and 4200K
<b>CRI95<sup>1</sup></b>	Only available for 3000K
<b>BHSG<sup>1</sup></b>	Black Housing (Heat sink, Stem/Bracket, power box)
<b>WHSG<sup>1</sup></b>	White Housing (Heat sink, Stem/Bracket, power box)
<b>UPLIGHT ST2<sup>1</sup></b>	Uplight Mounting with stem 2ft
<b>UPLIGHT ST4<sup>1</sup></b>	Uplight Mounting with stem 4ft
<b>HV<sup>1</sup></b>	High Voltage 347-480V
<b>DF<sup>2</sup></b>	Diffuser
<b>WG</b>	Wire Guard
<b>TB</b>	Twin Bracket
<b>OUT</b>	Outdoor(IP65)
<b>NAT</b>	Natorium installation(IP65)

Notes: <sup>1</sup> Additional lead time required.

<sup>2</sup> Please factor in change in lumen output with diffuser (-16%).

### Lumen Output Table\*

CCT	Beam Angle 15°	Beam Angle 30°	Beam Angle 60°	Beam Angle 80°	Beam Angle 100° DF
5700K	21445 lm	20713 lm	20254 lm	19745 lm	18689 lm
4200K	19104 lm	18166 lm	17764 lm	17317 lm	16168 lm
3000K	16611 lm	15942 lm	15589 lm	15197 lm	14295 lm

Efficacy up to 97.5 LPW.

\*Tolerance ±8%



Meteor LED reserves the right to make changes to this product at any time without prior notice and such modification shall be effective immediately.

ILOS Corporation 19745 Colima Rd #1-807, Rowland Heights, CA 91748 P: 213.255.2060 F: 213.596.3704  
www.meteor-lighting.com