

# Specification

Page 1 of 2  
20150318



## Electrical

- Wattage:** 300W (up to 26200 lm @ 5700K)
- Power Input:** U(120-277V), 347V-480V(optional)
- Operating Temperature:** -40°F~105°F
- Environment:** UL Wet location listed
- Surge Protection:** 10KV

## LED Technology

- LED color available in 3000K, 4200K, 5700K, CCT.
- LED color tolerance within 3-step McAdam Ellipse
- CRI75(standard), CRI85 optional for 3000K and 4200K; CRI95 optional for 3000K
- Offered in 15°, 30°, 60°, 80°, 100°(optional) optical distributions
- Rated Life: >100,000 hours (L70)

## Dimming

- 0-10V dim to <10%
- DALI dim to <10%(optional)

## Housing

- Dimensions:** 15.07" (383mm) x 14.17" (360mm)
- Height:** 3.54"(900mm)
- Material:** High pressure die-cast aluminum, tempered glass
- Housing Finish(Heat sink, Stem/ Bracket, Power Box):** White
- Weight:** 23.2 lbs

## Mounting

- Pendant or Stem standard length is 2 or 4ft ;
- Bracket, Uplight, Twin Bracket(please refer to WS Twin Bracket Spec Sheet)

## Warranty

- 5 year limited warranty. See [www.meteor-lighting.com](http://www.meteor-lighting.com) for details.

# Whiz Series - 300

## Compact high wattage luminaire

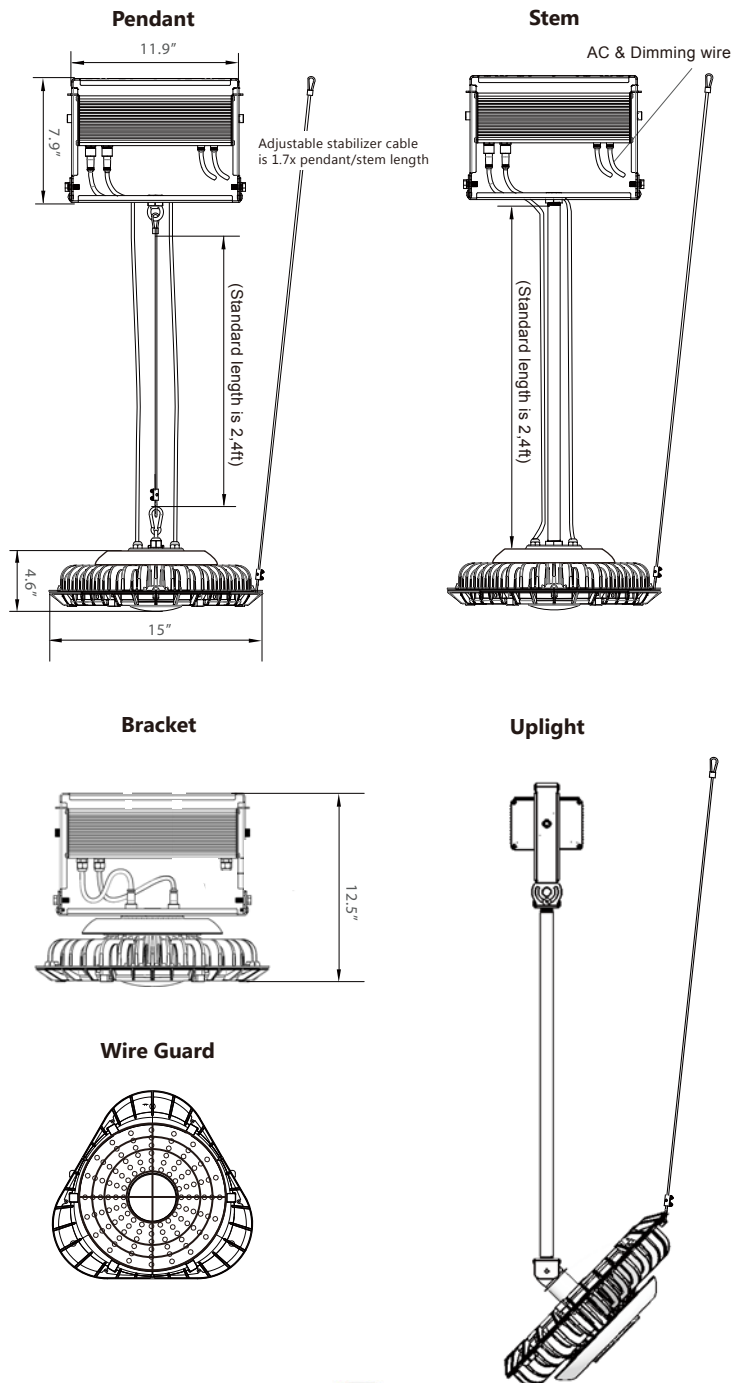
26200 lm@5700K

Type : \_\_\_\_\_

Project : \_\_\_\_\_

Quantity: \_\_\_\_\_

Note : \_\_\_\_\_



\*Not all versions of this product may be DLC qualified. Please check the DLC Qualified Products List at [www.designlights.org](http://www.designlights.org) to confirm which versions are qualified.



# Specification

Page 2 of 2  
20150318

# Whiz Series - 300

## Compact high wattage luminaire

26200 lm@5700K

### Ordering Guide:

Ex.WS-300-30K-120-V-30-W-P2-WG

| Model  | Color Temp   | Voltage                                | Dimming                          | Beam Angle  | Rim Finish  | Mounting  |
|--------|--|--|----------------------------------|---|---|---|
| WS-300 |  |  |                                  |   |   |   |
|        | <b>30K</b> (3000K)<br><b>42K</b> (4200K)<br><b>57K</b> (5700K) | <b>120</b> (120V)<br><b>277</b> (277V) | <b>V</b> (0-10V;<br>dim to <10%) | <b>15</b><br><b>30</b><br><b>60</b><br><b>80</b><br><b>100*</b><br><small>*must order with diffuser</small> | <b>W</b> (White)<br><small>(Radiation heat-dissipation coating currently only available in white)</small> | <b>P2</b> Pendant 2ft<br><b>P4</b> Pendant 4ft<br><b>ST2</b> Stem 2ft<br><b>ST4</b> Stem 4ft<br><b>BR</b> Bracket |

| Optional                       |                                    |
|--------------------------------|------------------------------------|
| <b>DALI</b>                    | DALI(dim to <10%)                  |
| <b>CRI85<sup>1</sup></b>       | Only available for 3000K and 4200K |
| <b>CRI95<sup>1</sup></b>       | Only available for 3000K           |
| <b>UPLIGHT ST2<sup>1</sup></b> | Uplight Mounting with stem 2ft     |
| <b>UPLIGHT ST4<sup>1</sup></b> | Uplight Mounting with stem 4ft     |
| <b>HV<sup>1</sup></b>          | High Voltage 347-480V              |
| <b>DF<sup>2</sup></b>          | Diffuser                           |
| <b>WG</b>                      | Wire Guard                         |
| <b>TB</b>                      | Twin Bracket                       |
| <b>OUT</b>                     | Outdoor(IP65)                      |
| <b>NAT</b>                     | Natorium installation(IP65)        |

Notes: <sup>1</sup> Additional lead time required.

<sup>2</sup> Please factor in change in lumen output with diffuser (-16%).

### Lumen Output Table\*

| CCT   | Beam Angle 15° | Beam Angle 30° | Beam Angle 60° | Beam Angle 80° | Beam Angle 100° DF |
|-------|----------------|----------------|----------------|----------------|--------------------|
| 5700K | 27603 lm       | 26289 lm       | 25680 lm       | 24780 lm       | 23573 lm           |
| 4200K | 24201 lm       | 23000 lm       | 22470 lm       | 21680 lm       | 20495 lm           |
| 3000K | 21118 lm       | 20125 lm       | 19660 lm       | 18790 lm       | 18062 lm           |

Efficacy up to 87.6 LPW.

\*Tolerance ±8%



Meteor LED reserves the right to make changes to this product at any time without prior notice and such modification shall be effective immediately.

ILOS Corporation 19745 Colima Rd #1-807, Rowland Heights, CA 91748 P: 213.255.2060 F: 213.596.3704  
www.meteor-lighting.com