

Specification

Page 1 of 2
20150318



Electrical

Wattage: 90W (up to 9050 lm @ 5700K)
Power Input: U(120-277V), 347V-480V(optional)
Operating Temperature: -40°F~131°F
Environment: UL Wet location listed
Surge Protection: 10KV

LED Technology

- LED color available in 3000K, 4200K, 5700K, CCT.
- LED color tolerance within 3-step McAdam Ellipse
- CRI75(standard), CRI85 optional for 3000K and 4200K; CRI95 optional for 3000K
- Offered in 15°, 30°, 60°, 80°, 100°(optional) optical distributions
- Rated Life: >100,000 hours (L70)

Dimming

- 0-10V dim to <10%
- DALI dim to <10%(optional)
- DMX(please refer to WSD-90 Spec Sheet)

Housing

Dimensions: 15.07" (383mm) x 14.17" (360mm)

Height: 3.54"(900mm)

Material: High pressure die-cast aluminum, tempered glass

Housing Finish(Heat sink, Stem/ Bracket, Power Box):

Silver; Black(optional), White(optional)

Rim Finish: Black, White

Weight: 15.84 lbs (with power supply)

Mounting

Pendant or Stem standard length is 2 or 4ft ;
 Bracket, Uplight, Twin Bracket(please refer to WS Twin Bracket Spec Sheet)

Warranty

5 year limited warranty. See www.meteor-lighting.com for details.

Whiz Series - 90

Compact high wattage luminaire

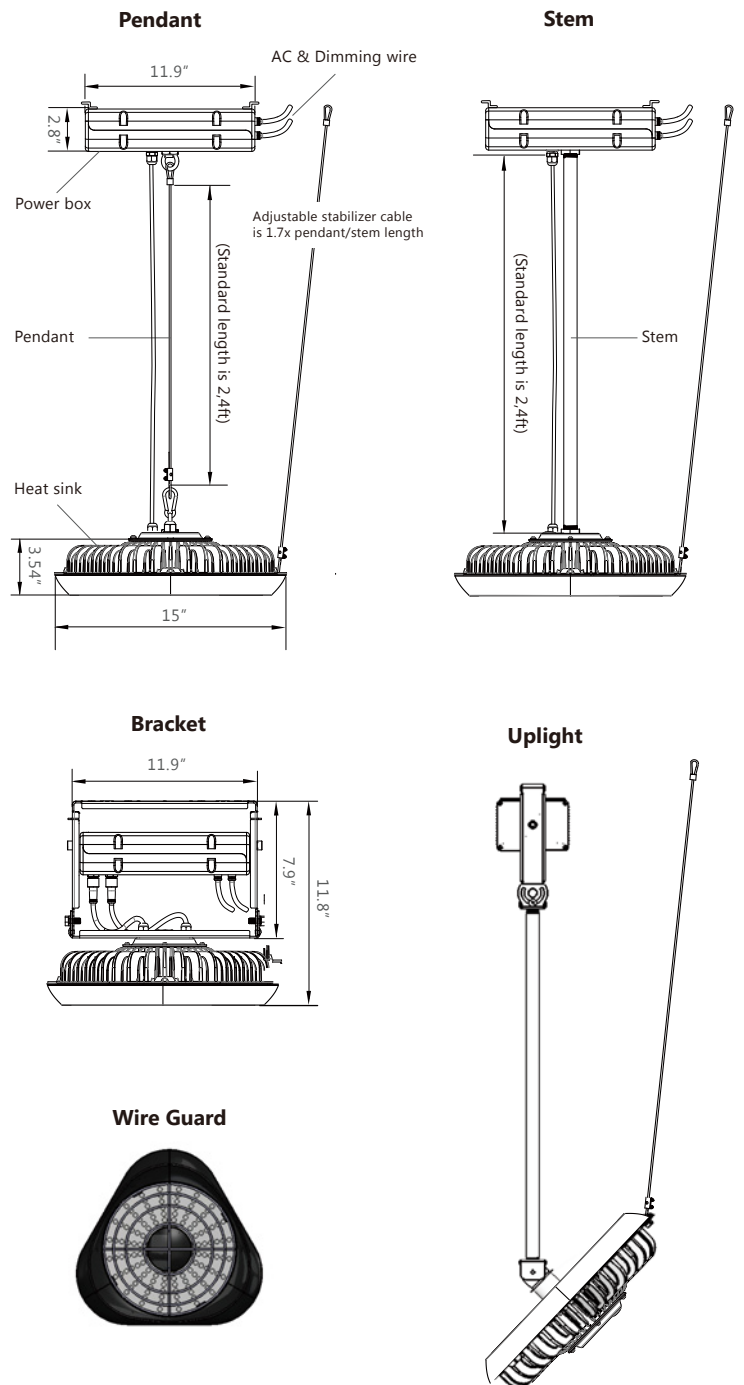
9050 lm@5700K

Type : _____

Project : _____

Quantity: _____

Note : _____



*Not all versions of this product may be DLC qualified. Please check the DLC Qualified Products List at www.designlights.org to confirm which versions are qualified.



Specification

Page 2 of 2
20150318

Whiz Series - 90

Compact high wattage luminaire

9050 lm@5700K

Ordering Guide:

Ex.WS-90-30K-120-V-30-B-P2-WG

Model	Color Temp	Voltage	Dimming	Beam Angle	Rim Finish	Mounting
WS-90						
	30K (3000K) 42K (4200K) 57K (5700K)	120 (120V) 277 (277V)	V (0-10V; dim to <10%)	15 30 60 80 100* <small>*must order with diffuser</small>	W (White) B (Black)	P2 Pendant 2ft P4 Pendant 4ft ST2 Stem 2ft ST4 Stem 4ft BR Bracket TB Twin Bracket

Optional	
DALI	DALI(dim to <10%)
CRI85	Only available for 3000K and 4200K
CRI95¹	Only available for 3000K
BHSG¹	Black Housing (Heat sink, Stem/Bracket, power box)
WHSG¹	White Housing (Heat sink, Stem/Bracket, power box)
UPLIGHT ST2¹	Uplight Mounting with stem 2ft
UPLIGHT ST4¹	Uplight Mounting with stem 4ft
HV¹	High Voltage 347-480V
DF²	Diffuser
WG	Wire Guard
TB	Twin Bracket
OUT	Outdoor(IP65)
NAT	Natorium installation(IP65)

Notes: ¹ Additional lead time required.

² Please factor in change in lumen output with diffuser (-16%).

Lumen Output Table*

CCT	Beam Angle 15°	Beam Angle 30°	Beam Angle 60°	Beam Angle 80°	Beam Angle 100° DF
5700K	9422 lm	9053 lm	8853 lm	8630 lm	8139 lm
4200K	8311 lm	7940 lm	7764 lm	7569 lm	7213 lm
3000K	7215 lm	6968 lm	6814 lm	6642 lm	6273 lm

Efficacy up to 100.6 LPW.

*Tolerance ±8%



Meteor LED reserves the right to make changes to this product at any time without prior notice and such modification shall be effective immediately.

ILOS Corporation 19745 Colima Rd #1-807, Rowland Heights, CA 91748 P: 213.255.2060 F: 213.596.3704
www.meteor-lighting.com