

Specification

Page 1 of 2
20150318



Electrical

Wattage: 150W (up to 12400 lm @ 5700K)

Power Input: U(120-277V)

Operating Temperature: -40°F~131°F

Environment: UL Wet location listed

Surge Protection: 10KV

LED Technology

- LED color available in 3000K, 4200K, 5700K, CCT.
- LED color tolerance within 3-step McAdam Ellipse
- CRI75(standard), CRI85 optional for 3000K and 4200K; CRI95 optional for 3000K
- Offered in 15°, 30°, 60°, 80°, 100°(with diffuser) optical distributions
- Rated Life: >100,000 hours (L70)

Dimming

- **DMX** control with high resolution; 4,096 steps to <0.1% dimming level. Specifically designed to meet video broadcast and recording needs in applications such as Auditoriums, Theaters, Churches)

Housing

Dimensions: 15.07" (383mm) x 14.17" (360mm)

Height: 3.54"(900mm)

Material: High pressure die-cast aluminum, tempered glass

Housing Finish(Heat sink, Stem/ Bracket, Power Box):

Silver; Black(optional), White(optional)

Rim Finish: Black, White

Weight: 23.2 lbs

Mounting

Pendant or Stem standard length is 2 or 4ft ; Bracket, Twin Bracket(please refer to WS Twin Bracket Spec Sheet)

Warranty

5 year limited warranty. See www.meteor-lighting.com for details.

Whiz Series(DMX) - 130 Compact high wattage luminaire

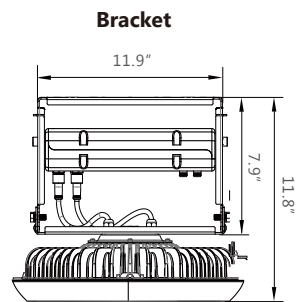
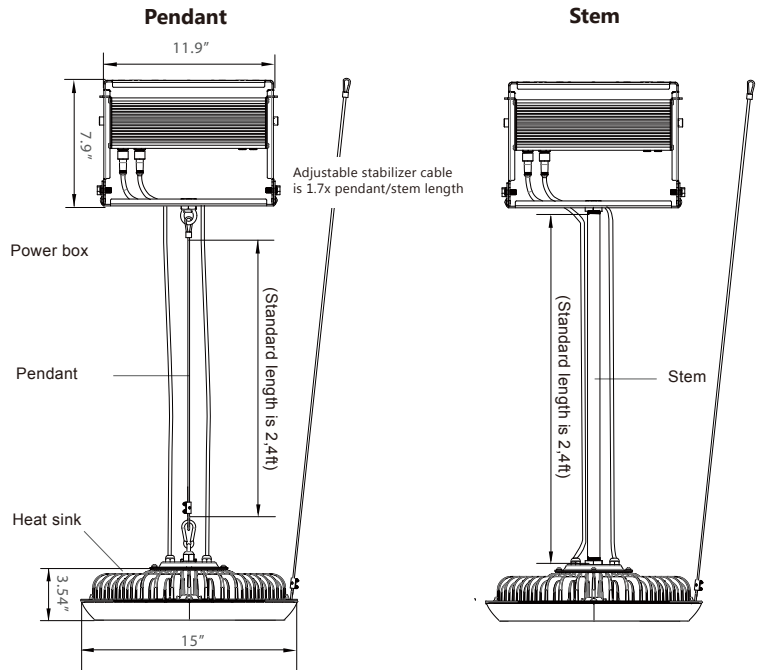
12400 lm@5700K

Type : _____

Project : _____

Quantity: _____

Note : _____



Wire Guard



Flickering is present in all light sources and Meteor has developed propriety VX driver which combats flickering in recorded material. VX Driver is an advanced non-flickering technology, to all its dimming options which includes 0-10V(Std), Superior 0-10V(<1%) and DMX(<0.1%).



*Not all versions of this product may be DLC qualified. Please check the DLC Qualified Products List at www.designlights.org to confirm which versions are qualified.



Specification

Page 2 of 2
20150318

Whiz Series(DMX) - 130

Compact high wattage luminaire

12400 lm@5700K

Ordering Guide:

Ex.WSD-130-30K-120-80-B-P2-WG

Model	Color Temp	Voltage	Beam Angle	Rim Finish	Mounting
WSD-130 (DMX)	30K (3000K)	120 (120V)	15	W (White) B (Black)	P2 Pendant 2ft
	42K (4200K)	277 (277V)	30		P4 Pendant 4ft
	57K (5700K)	60	80		ST2 Stem 2ft
		100* <small>*must order with diffuser</small>			ST4 Stem 4ft
				BR Bracket	

Optional	
CRI85	Only available for 3000K and 4200K
CRI95¹	Only available for 3000K
BHSG¹	Black Housing (Heat sink, Stem/Bracket, power box)
WHSG¹	White Housing (Heat sink, Stem/Bracket, power box)
TB	Twin Bracket
DF²	Diffuser
WG	Wire Guard

Notes: ¹ Additional lead time required.

² Please factor in change in lumen output with diffuser (-16%).

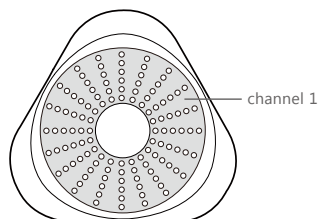
Lumen Output Table*

CCT	Beam Angle 15°	Beam Angle 30°	Beam Angle 60°	Beam Angle 80°	Beam Angle 100° DF
5700K	13030 lm	12413 lm	12138 lm	11833 lm	11129 lm
4200K	11374 lm	10887 lm	10645 lm	10378 lm	9762 lm
3000K	9754 lm	9554 lm	9342 lm	9107 lm	8567 lm

Efficacy up to 82.8 LPW.

*Tolerance ±8%

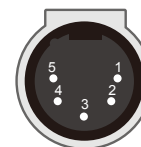
Data Cable (DMX Cable) Requirements:



The Whiz LED can be controlled via DMX-512 protocol. The Whiz LED fixture with DMX is a 1 channel DMX unit. (***)**When placing order, please indicate DMX address. The DMX address will be present inside the power supply box.** (***) **The DMX address will be listed on the power box.** The LED fixture and your DMX controller require an approved DMX-512 Data cable for data input and data output. (DMX cable NOT included.)



DMX IN



DMX OUT

- 1.Shield
(Not connected to the XLR-chassis)
- 2.Signal -
- 3.Signal +
- 4.Spare
- 5.Spare



Meteor LED reserves the right to make changes to this product at any time without prior notice and such modification shall be effective immediately.

ILOS Corporation 19745 Colima Rd #1-807, Rowland Heights, CA 91748 P: 213.255.2060 F: 213.596.3704
www.meteor-lighting.com