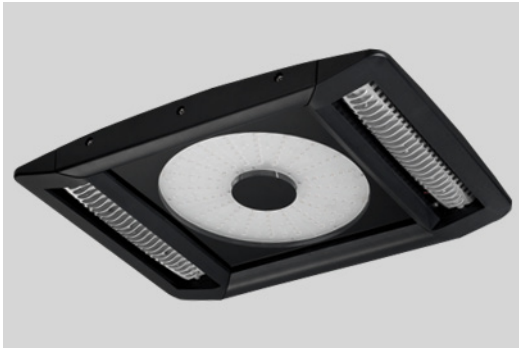


Specification

Page 1 of 2
20150330



Whiz Bidirectional - 150 Compact high wattage luminaire

14990 lm@5700K

Type :

Project :

Quantity:

Note :

Electrical

Wattage: 150W (up to 14990 lm @ 5700K)
Power Input: U(120-277V), 347V-480V(optional)
Operating Temperature: -40°F~131°F
Environment: UL Wet location listed
Surge Protection: 10KV

LED Technology

- LED color available in 3000K, 4200K, 5700K, CCT.
- LED color tolerance within 3-step McAdam Ellipse
- CRI75(standard), CRI85 optional for 3000K and 4200K; CRI95 optional for 3000K
- Optical distributions: Downlight offered in 15°, 30°, 50°, 80°, 100°(optional); Uplight fixed for only 80°.
- Rated Life: >100,000 hours (L70)

Dimming

- **Standard: 0-10V dim to <10%**
(Single Dimming Switch: Controls up and down dimming together)
- **Optional: 0-10V dim to <10%**
(Dual Dimming Switch: Controls up and down dimming separately)
DALI dim to <10%
(Controls top and bottom dimming together only)

Housing

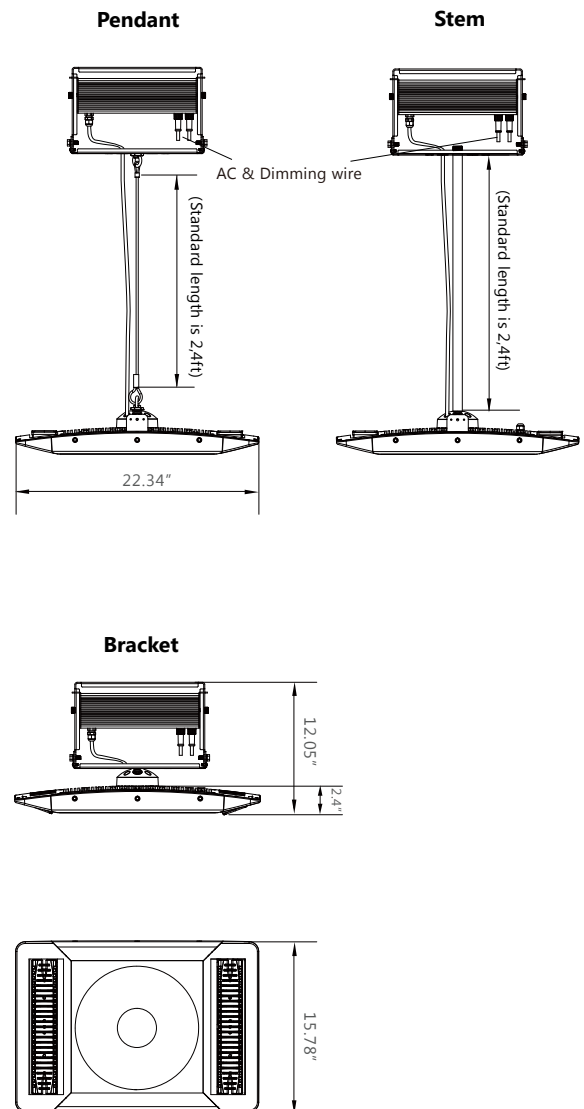
Dimensions: 22.34" (567mm) x 15.78" (400mm)
Height: 2.4"(60mm)
Material: High pressure die-cast aluminum, tempered glass
Housing Finish: Black, White
Stem/Power Box color: Silver; Optional: Black, White
Weight: 26.45 lbs (with power supply)

Mounting

Bracket, Pendant or Stem standard length is 2 or 4ft

Warranty

5 year limited warranty. See www.meteor-lighting.com for details.



Specification

Page 2 of 2
20150330

Whiz Bidirectional - 150 Compact high wattage luminaire

14990 lm@5700K

Ordering Guide:

Ex.WSBD-150-30K-120-SDS-30-B-P2

Model	Color Temp	Voltage	Dimming	Beam Angle	Housing Finish	Mounting
WSBD-150						
	30K (3000K) 42K (4200K) 57K (5700K)	120 (120V) 277 (277V)	SDS (0-10V; dim to <10% , Single Dimming Switch: Controls up and down dimming together)	15 30 50 80 100* <small>*must order with diffuser</small>	W (White) B (Black)	P2 Pendant 2ft P4 Pendant 4ft ST2 Stem 2ft ST4 Stem 4ft BR Bracket

Optional		Additional lead time required
DDS	0-10V(Dual Dimming Switch: Controls up and down dimming separately; 120-277V only)	
DALI	DALI(dim to <10%; Controls top and bottom dimming together only)	
CRI85	Only available for 3000K and 4200K	
CRI95	Only available for 3000K	
BHSG	Black Housing (Stem, power box)	
WHSG	White Housing (Stem, power box)	
HV	High Voltage 347-480V	
DF¹	Diffuser	
OUT	Outdoor(IP65)	
NAT	Natatorium installation(IP65)	

Notes: ¹Please factor in change in lumen output with diffuser (-16%).

Lumen Output Table*

Downlight:

CCT	Beam Angle 15°	Beam Angle 30°	Beam Angle 50°	Beam Angle 80°	Beam Angle 100° DF
5700K	12705 lm	12500 lm	12442 lm	12214 lm	10638 lm
4200K	11602 lm	11509 lm	11338 lm	11094 lm	9655 lm
3000K	11087 lm	10884 lm	10440 lm	9874 lm	9338 lm

Efficacy up to 101.6 LPW.

*Tolerance ±8%

Uplight:

CCT	Beam Angle 80°
5700K	2291 lm
4200K	2105 lm
3000K	2004 lm

Efficacy up to 91.6 LPW.

*Tolerance ±8%



Meteor LED reserves the right to make changes to this product at any time without prior notice and such modification shall be effective immediately.

ILOS Corporation 19745 Colima Rd #1-807, Rowland Heights, CA 91748 P: 213.255.2060 F: 213.596.3704
www.meteor-lighting.com