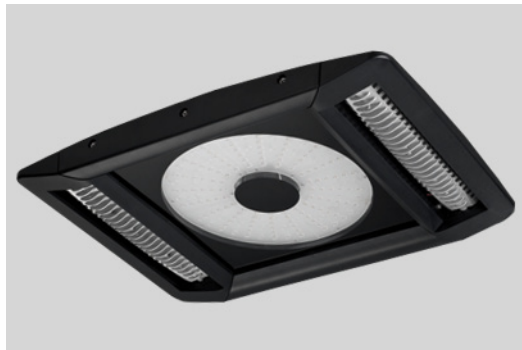


Specification

Page 1 of 2
20150330



Whiz Bidirectional - 250 Compact high wattage luminaire

25420 lm@5700K

Type : _____

Project : _____

Quantity: _____

Note : _____

Electrical

Wattage: 250W (up to 25420 lm @ 5700K)
Power Input: U(120-277V), 347V-480V(optional)
Operating Temperature: -40°F~131°F
Environment: UL Wet location listed
Surge Protection: 10KV

LED Technology

- LED color available in 3000K, 4200K, 5700K, CCT.
- LED color tolerance within 3-step McAdam Ellipse
- CRI75(standard), CRI85 optional for 3000K and 4200K; CRI95 optional for 3000K
- Optical distributions: Downlight offered in 15°, 30°, 50°, 80°, 100°(optional); Uplight fixed for only 80°.
- Rated Life: >100,000 hours (L70)

Dimming

- **Standard: 0-10V dim to <10%**
(Single Dimming Switch: Controls up and down dimming together)
- **Optional: 0-10V dim to <10%**
(Dual Dimming Switch: Controls up and down dimming separately)
DALI dim to <10%
(Controls top and bottom dimming together only)

Housing

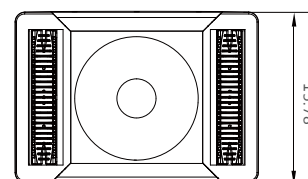
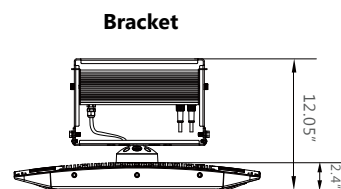
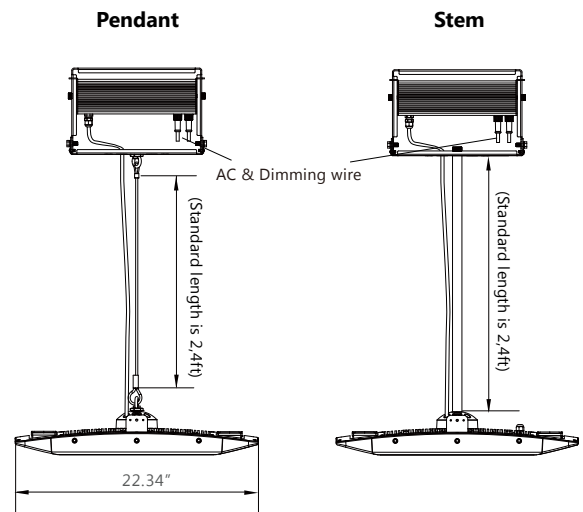
Dimensions: 22.34" (567mm) x 15.78" (400mm)
Height: 2.4"(60mm)
Material: High pressure die-cast aluminum, tempered glass
Housing Finish: Black, White
Stem/Power Box color: Silver; Optional: Black, White
Weight: 29.10 lbs (with power supply)

Mounting

Bracket, Pendant or Stem standard length is 2 or 4ft

Warranty

5 year limited warranty. See www.meteor-lighting.com for details.



Specification

Page 2 of 2
20150330

Whiz Bidirectional - 250 Compact high wattage luminaire

25420 lm@5700K

Ordering Guide:

Ex.WSBD-250-30K-120-SDS-30-B-P2

Model	Color Temp	Voltage	Dimming	Beam Angle	Housing Finish	Mounting
WSBD-250						
	30K (3000K) 42K (4200K) 57K (5700K)	120 (120V) 277 (277V)	SDS (0-10V; dim to <10% , Single Dimming Switch: Controls up and down dimming together)	15 30 50 80 100* <small>*must order with diffuser</small>	W (White) B (Black)	P2 Pendant 2ft P4 Pendant 4ft ST2 Stem 2ft ST4 Stem 4ft BR Bracket

Optional		Additional lead time required
DDS	0-10V(Dual Dimming Switch: Controls up and down dimming separately; 120-277V only)	
DALI	DALI(dim to <10%; Controls top and bottom dimming together only)	
CRI85	Only available for 3000K and 4200K	
CRI95	Only available for 3000K	
BHSG	Black Housing (Stem, power box)	
WHSG	White Housing (Stem, power box)	
HV	High Voltage 347-480V	
DF¹	Diffuser	
OUT	Outdoor(IP65)	
NAT	Natatorium installation(IP65)	

Notes: ¹Please factor in change in lumen output with diffuser (-16%).

Lumen Output Table*

Downlight:

CCT	Beam Angle 15°	Beam Angle 30°	Beam Angle 50°	Beam Angle 80°	Beam Angle 100° DF
5700K	20786 lm	20511 lm	20311 lm	19414 lm	17986 lm
4200K	17821 lm	17665 lm	17145 lm	16874 lm	15887 lm
3000K	16337 lm	16114 lm	15742 lm	14929 lm	14119 lm

Efficacy up to 103.9 LPW.

*Tolerance ±8%

Uplight:

CCT	Beam Angle 80°
5700K	4122 lm
4200K	3598 lm
3000K	3283 lm

Efficacy up to 92.6 LPW.

*Tolerance ±8%



Meteor LED reserves the right to make changes to this product at any time without prior notice and such modification shall be effective immediately.

ILOS Corporation 19745 Colima Rd #1-807, Rowland Heights, CA 91748 P: 213.255.2060 F: 213.596.3704
www.meteor-lighting.com